

4

3

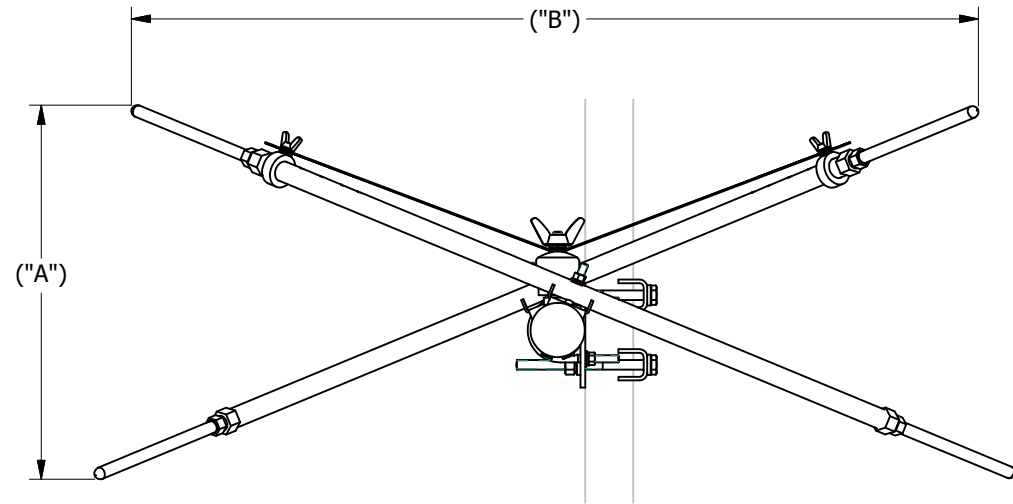
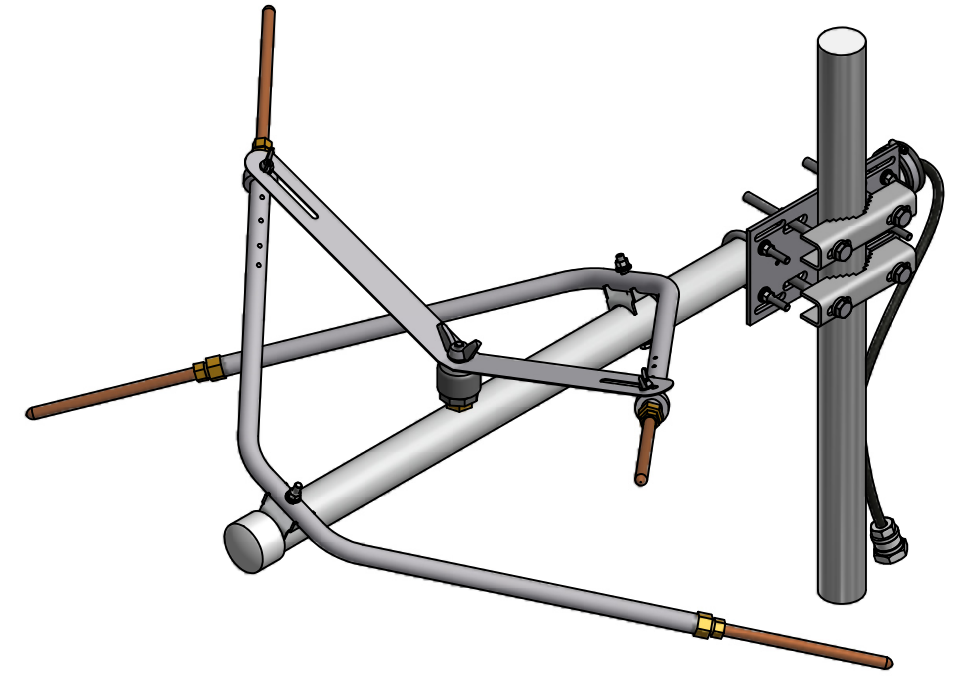
2

1

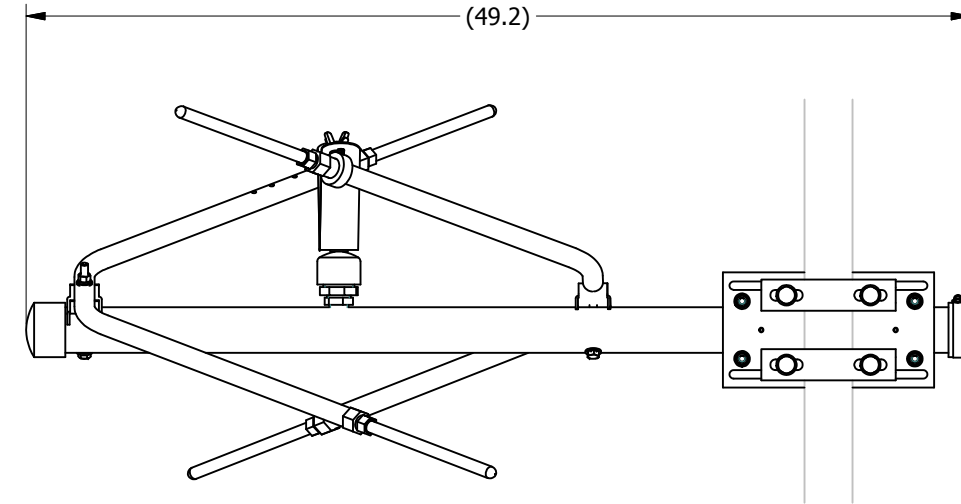
NOTES:

1. FOR QUOTING PURPOSES ONLY. DO NOT FABRICATE.

OVERALL DIMENSIONS			
FREQUENCY RANGE	TIP LENGTH, (in)	"A", (in)	"B", (in)
107.5 - 108.0	2.31	15.73	35.20
106.5 - 107.4	2.75	15.97	35.77
105.5 - 106.4	3.00	16.11	36.09
104.5 - 105.4	3.31	16.28	36.50
103.5 - 104.4	3.69	16.48	36.98
102.5 - 103.4	4.00	16.65	37.39
101.5 - 102.4	4.38	16.86	37.88
100.5 - 101.4	4.63	16.99	38.20
99.5 - 100.4	5.00	17.20	38.69
98.5 - 99.4	5.31	17.37	39.09
97.5 - 98.4	5.63	17.54	39.50
96.5 - 97.4	6.06	17.78	40.07
95.5 - 96.4	6.19	17.85	40.23
94.5 - 95.4	6.56	18.05	40.72
93.5 - 94.4	7.13	18.36	41.45
92.5 - 93.4	7.31	18.46	41.69
91.5 - 92.4	7.50	18.56	41.93
90.5 - 91.4	7.88	18.76	42.42
89.5 - 90.4	8.31	19.00	42.99
88.5 - 89.4	8.75	19.24	43.56
87.5 - 88.4	9.19	19.48	44.13



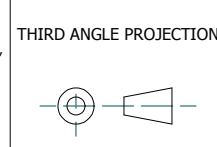
FRONT VIEW



SIDE VIEW



This document/drawing contains information considered confidential by Electronics Research, Inc. ("ERI"). This information is disclosed on a confidential basis and only authorized for use in the installation, operation, and maintenance of ERI tower and antenna equipment, as appropriate. Reproduction, transmission or disclosure to others, or unauthorized use, without the express written consent of ERI, is strictly prohibited. UNAUTHORIZED DUPLICATION, REPRODUCTION, OR DISCLOSURE OF THIS INFORMATION IS A VIOLATION OF FEDERAL LAW. COPYRIGHT 2016 ERI, ELECTRONICS RESEARCH INC.



MATERIAL
FINISH

TOLERANCES
OVERALL-NOT CUMULATIVE
UNLESS OTHERWISE SPECIFIED,
ALL DIMENSIONS ARE IN INCHES
AND APPLICABLE AT 20°C (68°F)
INTERPRET DIMENSIONS AND TOLERANCES
PER ASME Y14.5M-1994

1 PLACE DECIMAL ± .1
2 PLACE DECIMAL ± .03
3 PLACE DECIMAL ± .010
ANGULAR ± .5°
FRACTIONAL ± 1/16"

PROJECT NO.	ERI STOCK	
ERI APPROVAL	NAME	DATE
DRAWN BY	MAP	1/15/2016
DRAFTING		
DESIGN MGR.		
ENG.		
MANUF.		
EXT. APPROVAL		
SUPERSEDES PART NO.		
FILE NAME:	AE-100A-1M-DIMENSIONS.idw	

ERI ELECTRONICS RESEARCH INC. ESTABLISHED 1943		7777 GARDNER Rd. CHANDLER, IN 47610-9219 PHONE: (812) 925-6000 FAX: (812) 925-4030	
TITLE: 100A SERIES ANTENNA 1 BAY ASSEMBLY			
SIZE B	CAGE CODE OZNS1	DWG NO. AE-100A-1M-DIMENSIONS	REV.
SCALE: NTS	WEIGHT: N/A	SHEET: 1 OF 1	

3

2

1