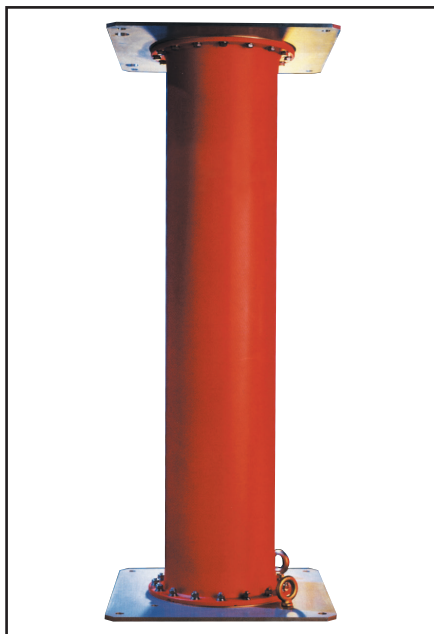


TRASAR® G Series

Emergency and Standby UHF Television Antenna



TRASAR® G Series

ERI offers a line of lower gain (G-Series) TRASAR® antennas for standby and emergency service. The antennas feature a full 25 kW DTV (60 kW Analog) power handling capability and provide excellent assurance against revenue losses in the event of catastrophic main antenna failure.

High Reliability and Dependable Service

The antennas are fully radome enclosed for maximum environmental protection. Lightning rods are standard. The skull-shaped azimuth pattern provides coverage appropriate for nearly all emergency situations. The broad elevation pattern ensures a good signal throughout the market area.

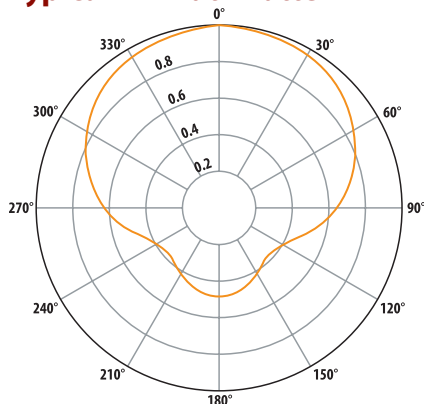
Built for Permanent Installation

G Series antennas can be permanently mounted to the tower for use during emergencies or during routine maintenance of the main antenna system. They are designed and manufactured to the same high standards as the high gain TRASAR antennas.

Features

- Input is 6-1/8" EIA, 50 or 75 ohm.
- VSWR is maximum of 1.05 at the visual carrier and 1.10 across the channel.
- 24 Hour emergency service available.
- In the US, Type ATW2G antenna can normally be provided within 24 hours.

Typical Azimuth Pattern



Type	Skull	
Directivity	2.00	(3.00 dBd)

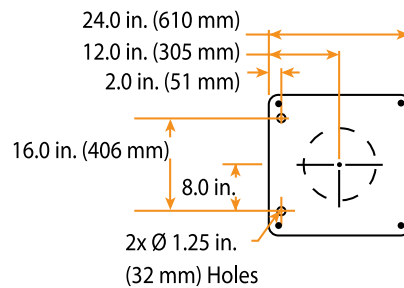
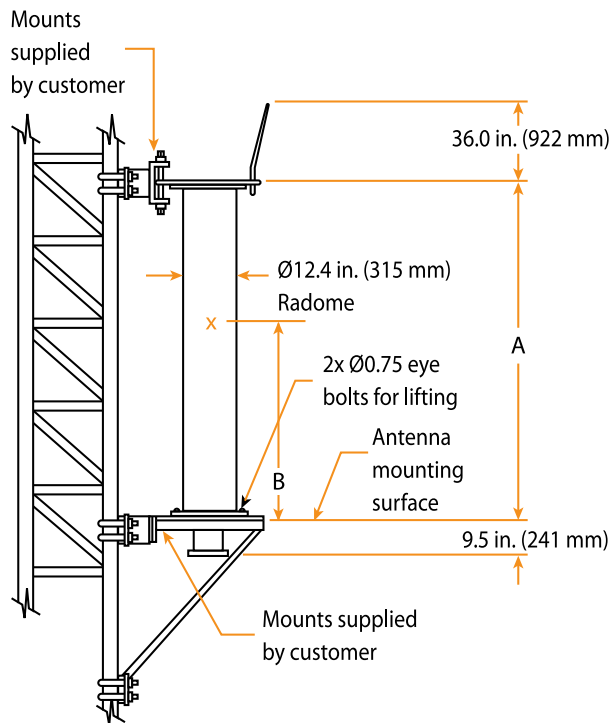
TRASAR® G Series

Emergency and Standby UHF Television Antenna

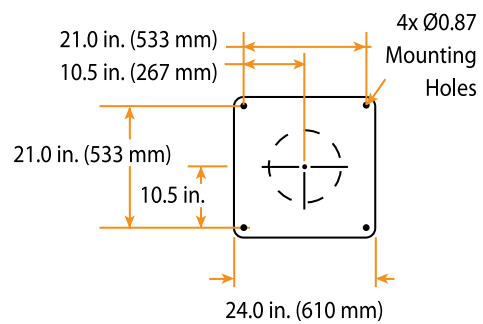
Electrical and Mechanical Specifications

Type Number	Channel	Number of Bays	Peak Power Gain (dBd)	Standard Beam tilt, degrees	[A] Antenna Height, Less Lightning Rods, ft (m)	[B] Radiation Center Above Base, ft (m)	Antenna Weight, lb (kg)	Wind Load (Shear), lb (N)**
ATW2G1(†)-HSS-(*)	14	2	4 (6.02)	0.0	5.1 (1.6)	2.5 (0.8)	300 (140)	200 (890)
ATW2G1(†)-HSS-(*)	69	2	4 (6.02)	0.0	5.1 (1.6)	2.5 (0.8)	300 (140)	200 (890)
ATW8G4(†)-HSS-(*)	14	8	16 (12.04)	1.0	17.6 (5.4)	8.8 (2.7)	500 (230)	700 (3,200)
ATW8G4(†)-HSS-(*)	69	8	16 (12.04)	1.0	11.5 (3.5)	5.7 (1.7)	400 (190)	500 (2,300)
ATW16G4(†)-HSS-(*)	14	16	32 (15.05)	1.0	33.7 (10.3)	16.9 (5.1)	800 (370)	1,300 (5,800)
ATW16G4(†)-HSS-(*)	69	16	32 (15.05)	1.0	21.0 (6.4)	10.5 (3.2)	600 (280)	800 (3,600)
ATW24G4(†)-HSS-(*)	14	24	48 (16.80)	1.0	50.0 (15.2)	25.0 (7.6)	1,200 (544)	2,000 (9,000)
ATW24G4(†)-HSS-(*)	69	24	48 (16.80)	1.0	30.0 (9.1)	15.0 (4.5)	900 (408)	1,200 (5,400)

Note:
 Input Power, kW (dBk), 30 kW 8VSB (Peak Visual +20% Aural: 60 kW Nominal)
 ** Loads are typical for 50 lb/ft² (2.4 kPa) for flat surfaces and 33 lb/ft² (1.6 kPa) for cylindrical surfaces
 † Specify 50 (50 ohm input) or 75 (75 ohm input)
 * Specify channel number.



Top Plate



Bottom Plate