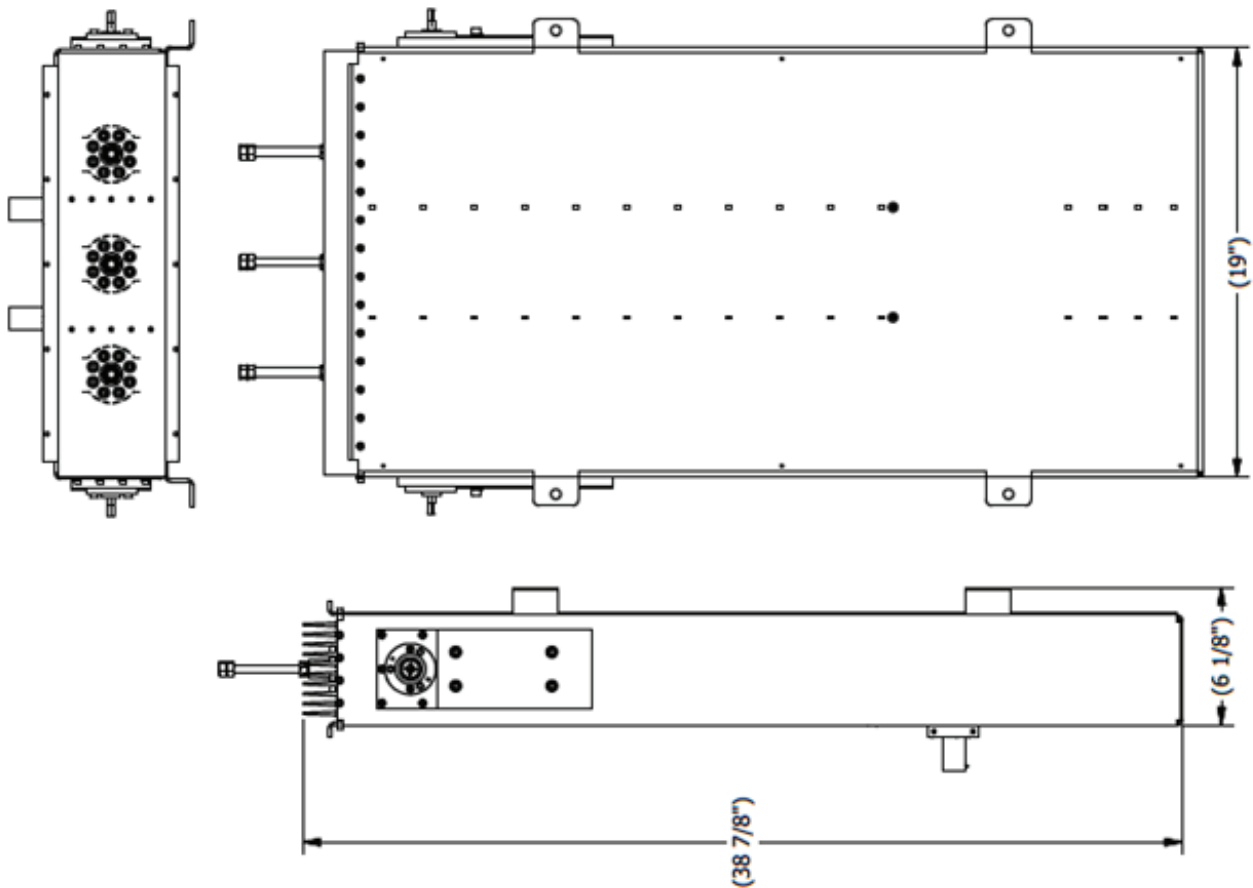


935 Series Low Power FM Band Pass Filter

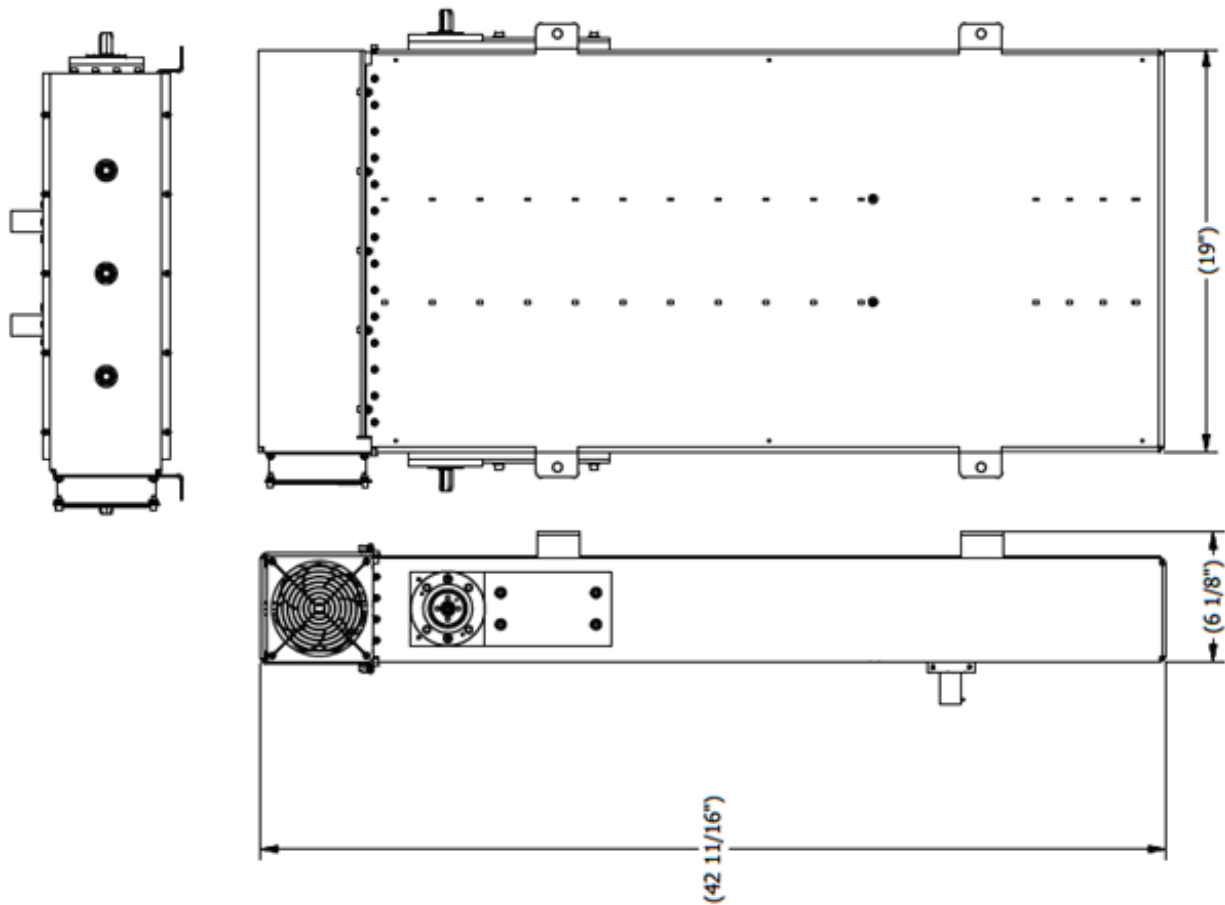


The 935 Series low power compact FM band pass filter uses high-quality aluminum construction. The filter is easily mountable to a wall or ceiling. The 935 Series is available as a reflective filter or as a constant impedance filter. The 935 Series maintains a compact profile while maintaining high performance. The temperature compensated design is perfect for any low power FM Analog or IBOC application. (Optional Floor Stand available, Type Number FI900-FL)



Model 935A FM Band Pass Filter, convection cooled.

935 Series Low Power FM Band Pass Filter



Model 935F FM Band Pass Filter, forced air cooling.

Product Specifications

| | | |
|-----------------------------|---|-------------------|
| Model: | 935 | |
| Filter Type: | FM Band Pass | |
| Frequency: | All FM Broadcast Channels (88 to 108MHz) | |
| Pass Band: | ±200 kHz | |
| Minimum Channel Spacing: | 2.0 MHz | |
| Poles: | Three (3) section | |
| Insertion Loss: | 0.35 dB | |
| Group Delay Variation: | <60ns Overall Variation, Carrier ± 200kHz | |
| Rejection: | -20 dB ± 1.0 MHz -40 dB ± 2.0 MHz | |
| VSWR1: | 1.1:1 ±200 kHz, maximum | |
| Input and Output Connector: | <i>Input</i> | <i>Output</i> |
| 935A (Convection Cooled) | 7/8-inch flange | 7/8-inch flange |
| 935B (Forced Air Cooling) | 7/8-inch flange | 7/8-inch flange |
| 935C (Convection Cooled) | 7/8-inch flange | 1-5/8-inch flange |
| 935D (Forced Air Cooling) | 7/8-inch flange | 1-5/8-inch flange |
| 935E (Convection Cooled) | 1-5/8-inch flange | 1-5/8-inch flange |
| 935F (Forced Air Cooling) | 1-5/8-inch flange | 1-5/8-inch flange |
| Power Handling Capability: | 1.5 kW with convection cooled 4 kW with forced air cooling | |

1) When terminated in 50-Ohm resistive load.

935 Series Low Power FM Band Pass Filter

Product Specifications

Band Pass Filter Size and Weight:

Convection cooled model:

| | | |
|---------|----------|--------|
| Height: | 38.88 in | 988 mm |
| Width: | 6.11 in | 155 mm |
| Length: | 20.38 in | 518 mm |
| Weight: | 46 lbm | 21 kg |

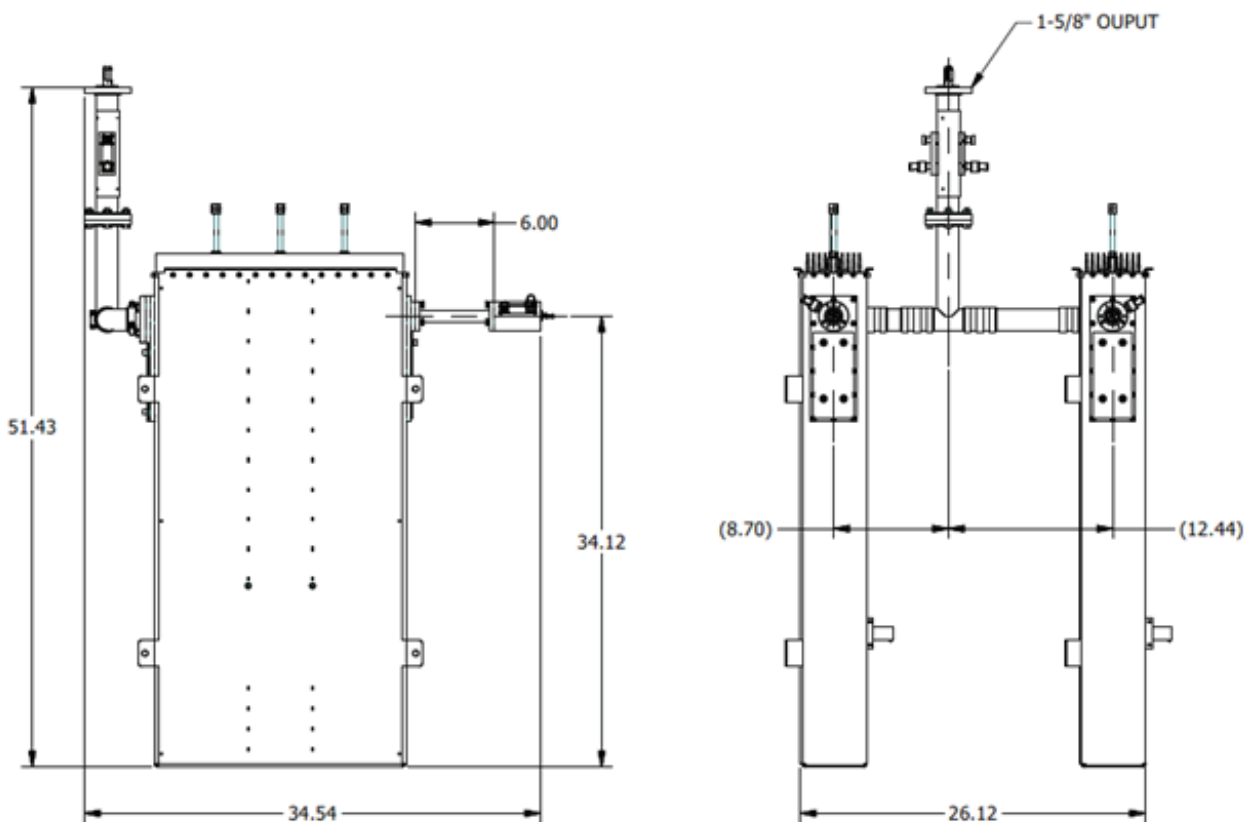
Forced air cooled model:

| | | |
|---------|----------|---------|
| Height: | 42.75 in | 1086 mm |
| Width: | 6.11 in | 155 mm |
| Length: | 20.38 in | 518 mm |
| Weight: | 53 lbm | 24 kg |

AC power required for forced air cooling: 115 VAC 2 amps

- 1) When terminated in 50-Ohm resistive load.
- 2) 2.0 MHz or from any adjacent port signal frequency.

Specifications presented are typical, total system performance may vary. In a continuing effort to improve products, ERI reserves the right to change specifications and features.



935 Series FM Tee Combiner. Typical layout, spacing dimensions vary with frequency.

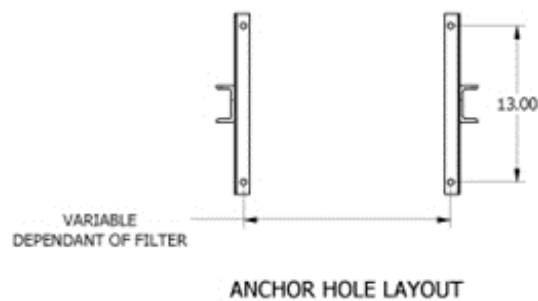
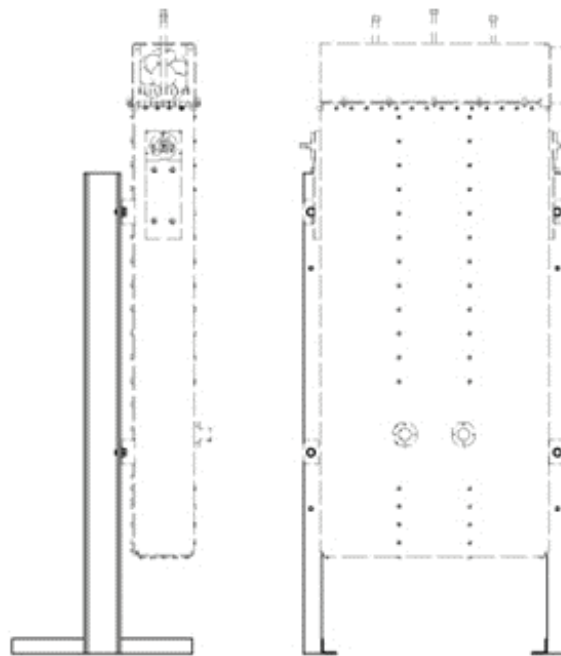
935 Series Low Power FM Band Pass Filter

FI900-FL Floor Stand for 935 and 938 FM Filters



Optional floor stand for 935 and 938 Series FM Band Pass Filters.

NOTE: Stand must be anchored to floor with customer supplied hardware



935 Series Low Power FM Band Pass Filter

Note: FINAL SET-UP TO BE DONE BY CUSTOMER

