

CY306/307 FM Switchless Combiner

80 kW (2 x 40 kW)

P/N CY306-0FM for 230 VAC supply

P/N CY307-0FM for 115 VAC supply

The Switchless Combiner is rated for 2 x 40 kW avg. at the inputs for 80 kW avg. at the output port. The output port will be a 6-1/8-inch, 50 ohm EIA flanged connection. The Coaxial Line Stack at the output and load port will also be 6-1/8-inch, 50 EIA flanged and will still contain three (3) Directional Couplers and two (2) Voltage Probes.

Includes:

- (2) 3 dB Hybrid Coupler
- (1) Motorized Coaxial Phase Shifter (0, 90, 180 degree)
- (2) Non-Directional Voltage Probe (1-at load port, 1-at output port)
- (3) Directional Coupler Port (1-at load port, 2-at output port)
- (1) Interconnect components between above items
- (1) Floor-mount frame
- Inputs: 3-1/8-inch, 50 ohm EIA flanged
- Output/Load Port: 6-1/8-inch, 50 ohm EIA flanged
- Reject (off air) Load is not included

Please specify at time of order:

- FM Channel/Frequency
- Desired AC Supply (115 VAC or 230 VA)

Specifications

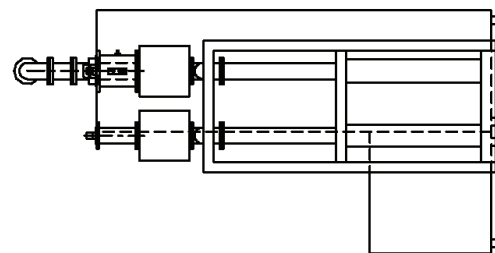
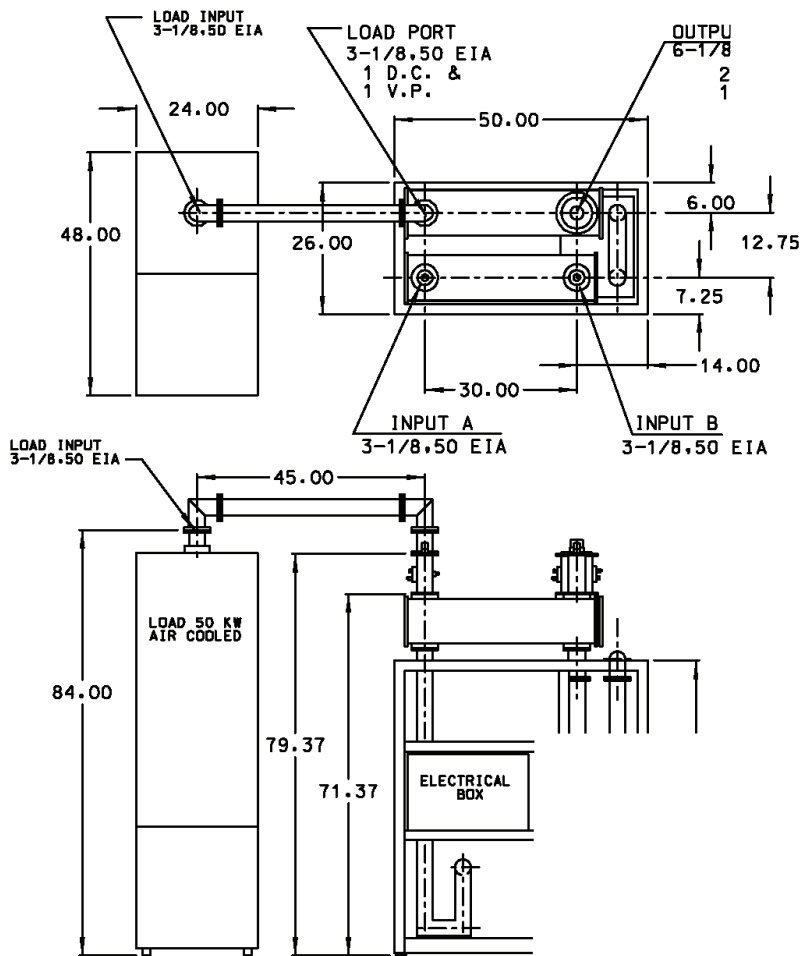
Power Rating:	80 kW avg. (2 x 40 kW avg)
Input VSWR:	1.04 to 1 or better (+/- 200 kHz) 1.10:1 during changeover
Insertion Loss:	0.1 dB Max
Input Isolation:	35 dB
Inputs:	3-1/8-inch, 50 ohm EIA flanged TX 1 input signal must "lag" TX 2 input signal by 90 degrees
Output Port/Load Port:	6-1/8-inch, 50 ohm EIA flanged
Directional Coupler:	Type "N" female
Voltage Probe:	BNC female
Nominal Coupling Values (unless otherwise specified)	
1-port Directional Coupler at load port:	FWD: 42 dB
1-port Voltage Probe at load port:	52 dB
2-port Directional Coupler at output port:	FWD: 48 dB REF: 48 dB
1-port Voltage Probe at output port:	52 dB
Coupler Directivity:	32 dB min. over channel
Weight:	495 lbs (225 Kg)
Approximate Dimensions:	See preliminary outline drawing on page 2

CY306/307 FM Switchless Combiner

80 kW (2 x 40 kW)

P/N CY306-0FM for 230 VAC supply

P/N CY307-0FM for 115 VAC supply



NOTE: INPUTS AND LOAD PORT 3-1/8-50 OHM EIA WITH CONNECTOR
OUTPUT PORT 6-1/8, 50

CY306/CY306 80 kW FM Switchless Combiner Outline Drawing (dimensions are inches). RF Load shown in not included.