

CY321 UHF Coaxial Switchless Combiner

Switchless Combiner includes:

- (2) Coaxial Hybrid Coupler, 3-1/8-inch
- (1) Motorized, 3-position, Coaxial Phase Shifter (0, 90 & 180 degrees)
- (1) Non-Directional Voltage Probe (at Reject Load Port)
- Interconnect components between above items
- Floor-mount Base Frame
- Inputs: 3-1/8-inch, 50 ohm EIA flanged
- Reject Load Port: 3-1/8-inch, 50 ohm EIA flanged
- Output: 3-1/8-inch, 50 ohm EIA flanged

Reject Load is not included

Combiner is factory tuned for the specified channel and is not readily field retunable.

Please specify any required channel offset at time of order

Specifications:

- Input Power Rating: 2 x 7.5 kW avg. = 15 kW average combined (ATSC)
2 x 10 kW peak of sync = 20 kW peak sync combined (Analog)
2 x 6 kW avg. = 12 kW average combined (DVB / ISDBT)
- Input VSWR: 1.08 : 1 or better over channel
1.15 : 1 or better over channel (during changeover)
- Insertion Loss: 0.15 dB max over channel
- Input Isolation: 30 dB min. over channel
- Voltage Probe Coupling: -47 dB nominal unless otherwise specified
- AC Supply: 115/230 VAC 50/60 Hz
- DC Control: 12 VDC
- Connections: 3-1/8-inch, 50 ohm unflanged (vertical)
- Approximate Weight: 300 lbs (137 kg)
- Approximate Dimensions: See layout drawing next page
Dimensions may vary slightly with channel

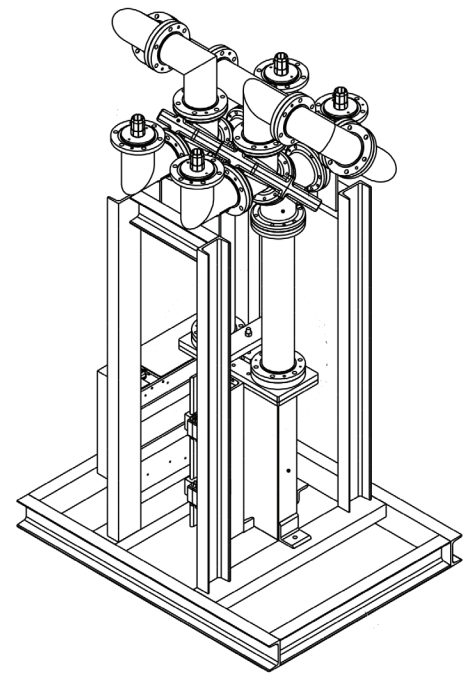
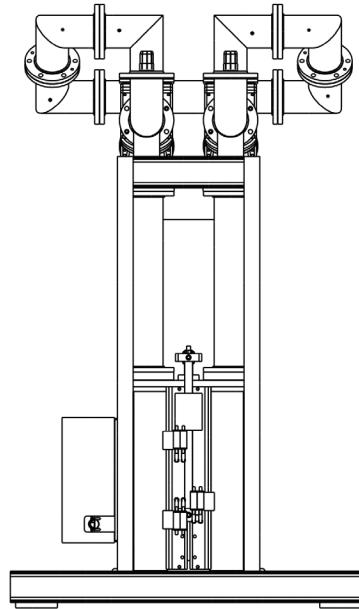
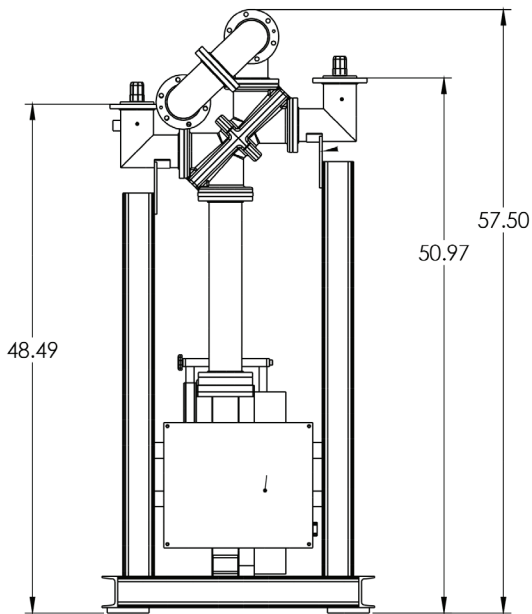
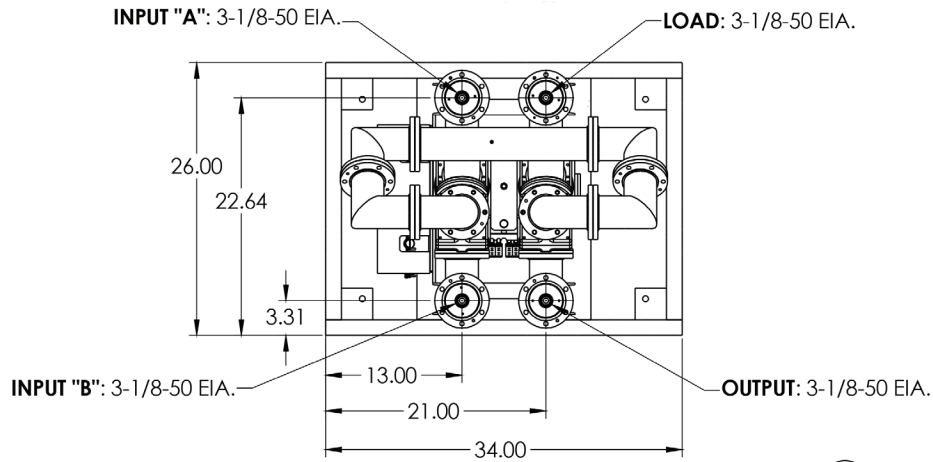
Three Combiner Modes:

PHASE SHIFTER POSITION	MODE
POS 3 - MID (90 degrees)	A+B to ANT
POS 1 - DOWN (180 degrees)	A to ANT, B to LOAD
POS 2 - UP (0 degrees)	B to ANT, A to LOAD

Combiner also operates manually

Reject Load is not included

CY321 UHF Coaxial Switchless Combiner



Model CY321 Coaxial UHF Switchless Combiner. Dimensions shown are inches.