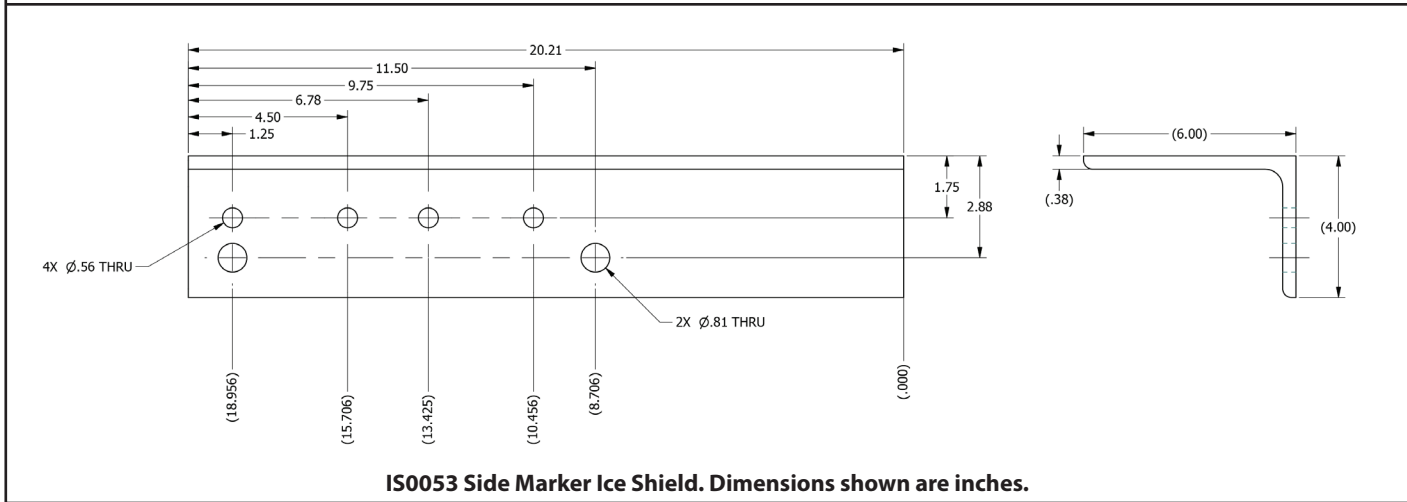
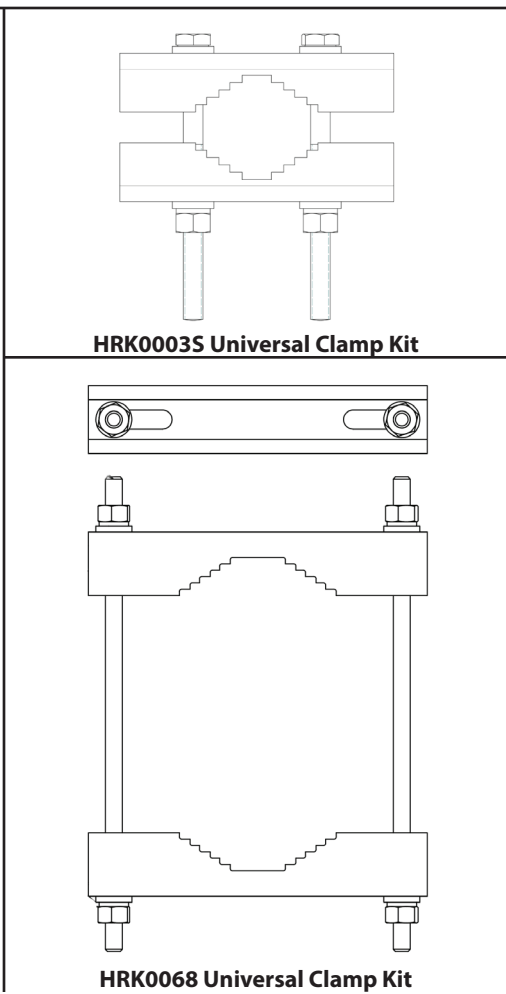
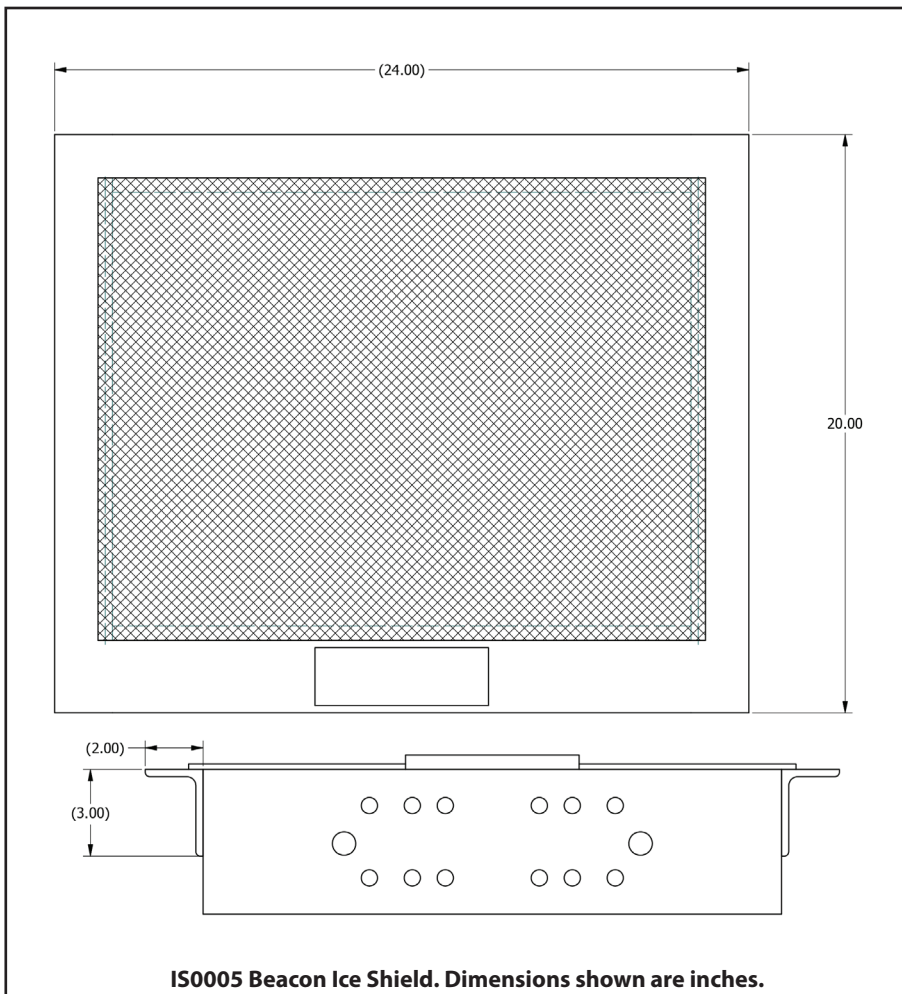


# Tower Lighting Ice Shields and Mounts



The side marker and beacon ice shields manufactured by ERI are made of galvanized steel and very ruggedly constructed. The mounting brackets are sold individually and are purchased as separate items. Select the proper Universal Clamp Kit to attach the ice shield to the tower leg diameter which will properly position the ice shield over the obstruction light it is to protect.

# Tower Lighting Ice Shields and Mounts

The IS053 side mark ice shield requires one (1) Universal Clamp Kit and the IS0005 beacon ice shield requires two (2) Universal Clamp Kits. The HRK0003S attaches to round tower member from 1.125-inches (29-mm) to up to 5.00-inches (127-mm) in diameter and the HRK0068 attaches to round tower members from 4.75-inches (121-mm) to 7.75-inches (197-mm) in diameter.

Part Number	Description
IS0005	<p>Beacon Ice Shield, 2-feet (610-mm) wide by 1.6600-feet (1829-mm) (506-mm) deep (out from tower), requires two (2) HRK0003 Universal Clamp Kit for leg mounting on up to 5.00-inch (127-mm) in diameter leg or two (2) HRK0068 Universal Clamp Kit for leg mounting on up to 7.75-inch (197-mm) in diameter leg, purchased separately.</p> <p>Weight 50-lbm 22.5-kg</p>
IS0053	<p>Side Marker Ice Shield, 20.2-inch (510-mm) wide by 6.0-inch (152-mm) deep (out from tower, requires one (1) HRK0003 Universal Clamp Kit for leg mounting on up to 5.00-inch (127-mm) in diameter leg or one (1) HRK0068 Universal Clamp Kit for leg mounting on up to 7.75-inch (197-mm) in diameter leg, purchased separately.</p> <p>Weight 21-lbm 9.4-kg</p>
HRK0003S	<p>Universal clamp kit for leg mounting on legs from 1.125-inches (29-mm) to up to 5.00-inches (127-mm) in diameter. Includes four (4) each 1/2-13 X 4-inch Grade 2 galvanized full thread bolts and four (4) each 1/2-13 X 7-inch Grade 2 galvanized full thread bolts, four (4) 1/2-13 A563 galvanized nuts, eight (8) each 1/2-inch F436 galvanized flat washers, and four (4) each 1/2-inch galvanized lock washers in addition to the two (2) galvanized steel mounting clamps.</p> <p>Weight 4-lbm 1.7-kg</p>
HRK0068	<p>Universal clamp kit for leg mounting on legs from 4.75-inches (121-mm) to 7.75-inches (197-mm) in diameter. Includes two (2) each 1/2-13 X 14-inch galvanized thread rod, each rod includes two (2) each (four (4) total) 1/2-13 X 1/2-13 A563 galvanized nuts, four (4) each 1/2-inch F436 galvanized flat washers, and four (4) each 1/2-inch galvanized lock washers in addition to the two (2) galvanized steel mounting clamps.</p> <p>Weight 3-lbm 1.2-kg</p>

Please note, the listed weights and effective wind areas are based upon standard designs. Actual values may vary on a project by project basis. Please contact ERI if more accurate values are required.