

ERI Precision Coaxial Directional Couplers

- CD250 1-5/8-inch**
- CD350 3-1/8-inch**
- CD450 4-1/16-inch**
- CD650 6-1/8-inch**

Features

- Balanced directional coupler designed for stand-alone test port applications.
- Models available with one (1) to four (4) coupling ports
- Type N or SMA female ports

Electronics Research, Inc. (ERI) precision directional coupler family for FM radio, VHF, and UHF television applications. These precision fixed directional couplers are for 1-5/8-inch, 3-1/8-inch, 4-1/16-inch, and 6-1/8-inch transmission lines and can be purchased with one (1) to four (4) coupling probes. These directional couplers are balanced high precision test instruments. They are capable of being set for a wide range of coupling values and always have excellent directivity. The inner conductor and fixed locking flange maintain precise alignment of the inner conductor to maintain the calibrated coupling level and directivity during shipping and when they are relocated.

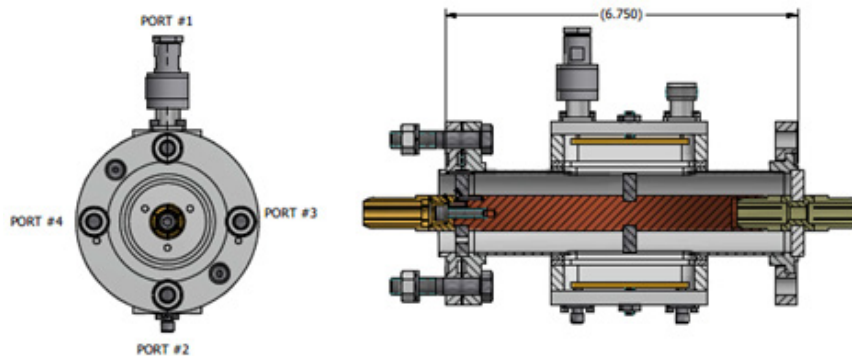


CD250, CD350, CD450, and CD650 Specifications	
Frequency Range:	50 to 608 MHz
Line Size:	1-5/8, 3-1/8, 4-1/16, or 6-1/8 inch
Impedance:	50-ohm
Sample Port Connector:	Type N or SMA Female
VSWR:	1.03:1 or better
Coupling:	-30 to -70 dB
Directivity:	30 dB or better
Please specify desired coupling values, operating frequency, and forward and reflected orientations at the time of order.	
Type N sampling ports include one (1) termination load per port.	

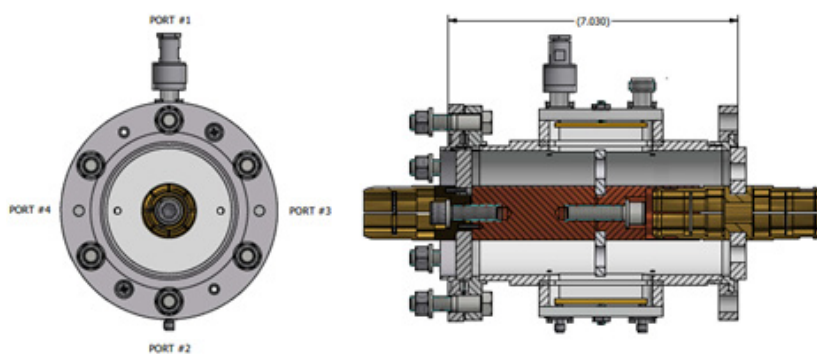
Part Number: CD a 50- b c d e		
"a"	2 = 1-5/8-inch	
	3 = 3-1/8-inch	
	4 = 4-1/16-inch	
	6 = 6-1/8-inch	
"b"	Sample Port 1 Connector	N = Type N Female S = SMA Female
"c"	Sample Port 2 Connector	
"d"	Sample Port 3 Connector	
"e"	Sample Port 4 Connector	
Specify operating frequency or RF channel and desired coupling level with order.		

The CD250, CD350, and CD450 models include one fixed locking flange with a fixed male inner connector and one swivel flange with a removable inner connector. The coupler includes hardware for the locking flange. The CD650 has two swivel flanges and one fixed male inner connector. Order ERI Part Number RLA600-21 6-1/8-inch flange hardware kit separately if flange hardware is needed.

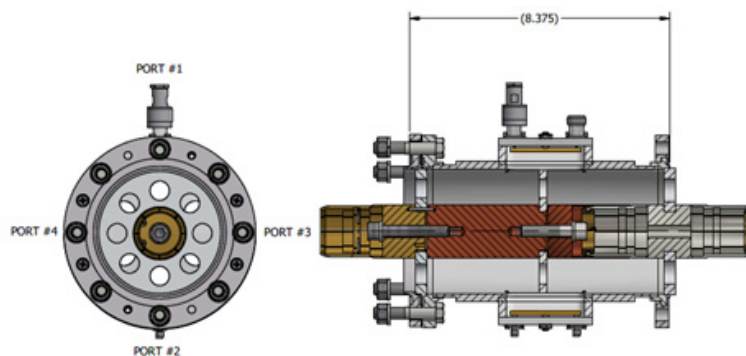
ERI Precision Coaxial Directional Couplers



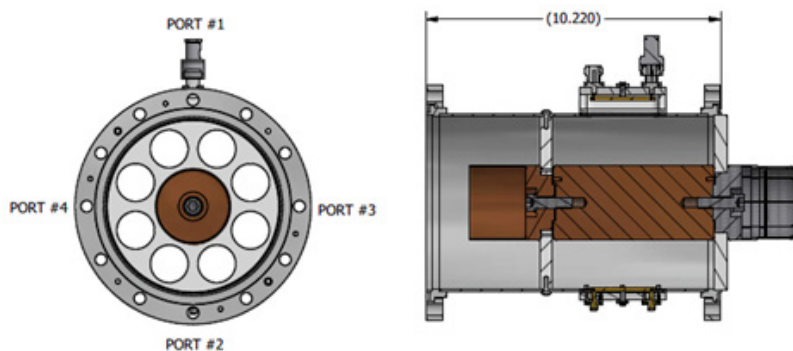
CD250-2-NS00 Dual Port Precision Directional Coupler. The dimensions shown are inches.



CD350-2-NS00 Dual Port Precision Directional Coupler. The dimensions shown are inches.



CD450-2-NS00 Dual Port Precision Directional Coupler. The dimensions shown are inches.



CD650-2-NS00 Dual Port Precision Directional Coupler. The dimensions shown are inches.