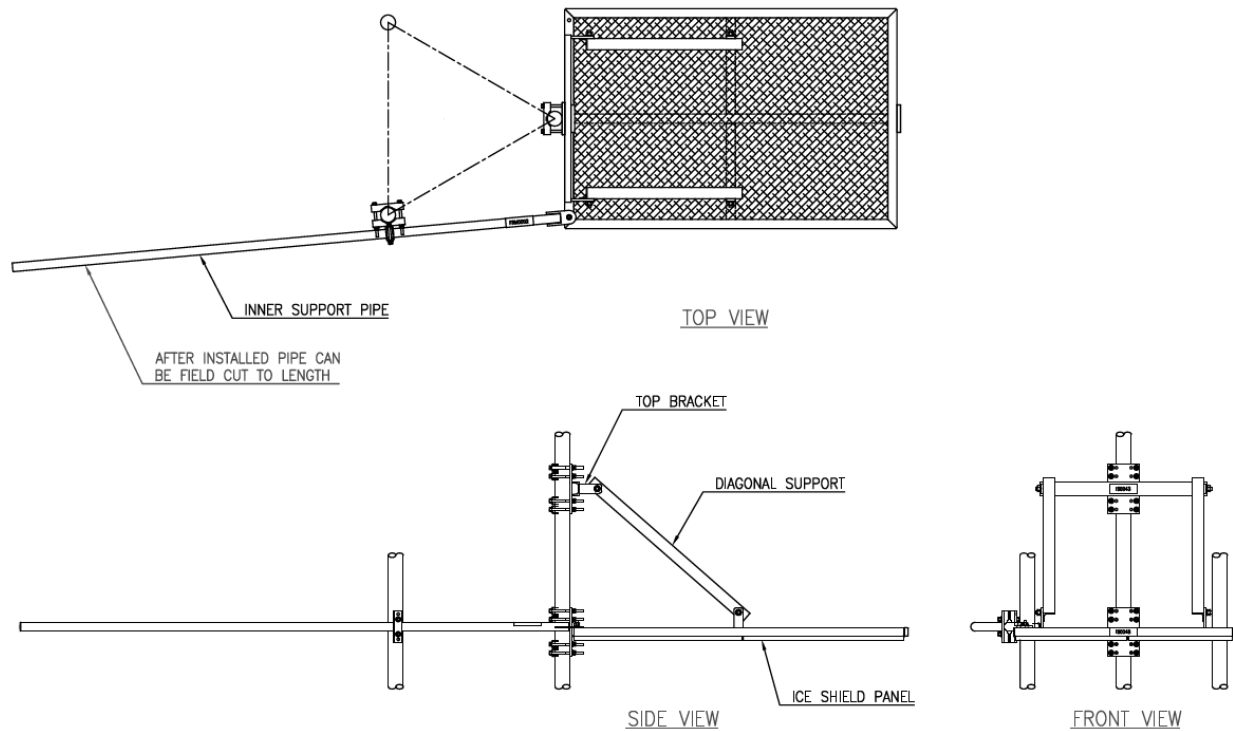


# Model ISA03-04S 3-Foot x 4-Foot Ice Shield



The ERI model ISA-03-046S is a steel leg-mounted ice shield with a 1/2 inch expanded metal grating. The grating is supported by a sturdy 2-inch x 2-inch x 1/4 inch steel angle member frame and includes a tieback for uniform cross-section tower face sizes from 2.00 feet (610 mm) to 10.00 feet (3048 mm). All components are hot dip galvanized. Each ice shield includes leg mount brackets to attach to round tower members from 1.125-inch (29 mm) to 5.00-inch (127 mm) in diameter.

Weight			
No Ice		1/2-inch (13mm) Ice	
331-lbm	150.1-kg	491-lbm	222.7-kg
Effective Projected Area			
Normal			
No Ice		1/2-inch (13mm) Ice	
5.4-ft <sup>2</sup>	0.50-m <sup>2</sup>	6.7-ft <sup>2</sup>	0.62-m <sup>2</sup>
Transverse			
No Ice		1/2-inch (13mm) Ice	
4.9-ft <sup>2</sup>	0.46-m <sup>2</sup>	6.3-ft <sup>2</sup>	0.59-m <sup>2</sup>

Part Number	Description
ISA03-04S	Dish or Antenna Ice Shield, steel, 3.00-feet (914 mm) wide by 4.00-feet (1219 mm) deep (out from tower), includes hardware for leg mounting on 1.125-inch (29 mm) to 5.00-inch (127 mm) in diameter leg on uniform cross-section tower with up to a 10.00-foot (3048-mm) face, with one (1) included anti-rotation bracket to tie to an adjacent tower leg.

Please note that the listed weights and effective wind areas are based on standard designs. Actual values may vary on a project-by-project basis. Please contact ERI if more accurate values are required.