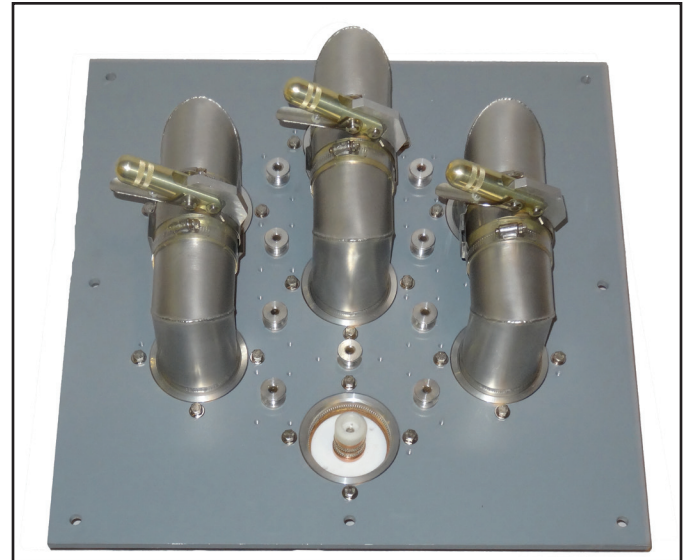


QUICK PATCH™ Coaxial Patch Panels

Features

- Unique quick connect design
- Auto locking
- Reduced weight
- Various standard port arrangements
- Positive pre-removal interlocks
- Replaceable contacts
- Standard Configurations include 3, 4, 5, and 7 Port Versions
- Custom patch panels configurations available
- Rack mounted, floor stands, wall mounted support frame options
- Custom systems are available with hybrid power combiner, patch panel/power dividers, custom motorized switching systems and much more...



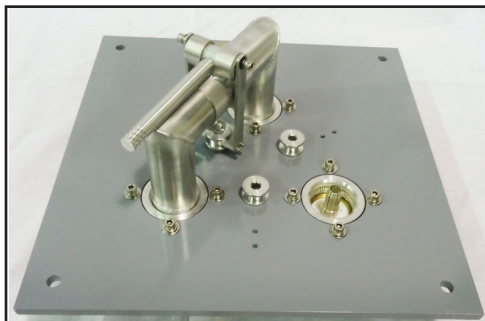
CP375-0NF 3-1/8-inch Seven-Port QUICK PATCH™ Coaxial Patch Panel.

QUICK PATCH™ coaxial patch panels are a unique design that allows for quick and positive change-over of any number of system inputs and outputs. This, combined with a positive pre-removal interlock system, provides ease of use with high reliability. All patch links employ a positive locking handle with a lightweight aluminum outer and a high conductivity copper inner.

General Specifications

Frequency	FM, VHF, UHF
Power	90% of line rating
VSWR	1.04:1 max
Interlocks	DPDT (optional)

The QUICK PATCH™ Coaxial Patch Panel is known for its unique U-Link release and capture system, the QUICK PATCH™ Coaxial Patch Panel offers the easiest and quickest U-Link remove and replace action in the industry. The U-links are equipped with a single-action lever that locks and unlocks the U-link. The lever also activates/deactivates the interlock switches and ensures switching prior to removal and after insertion of the U-link.



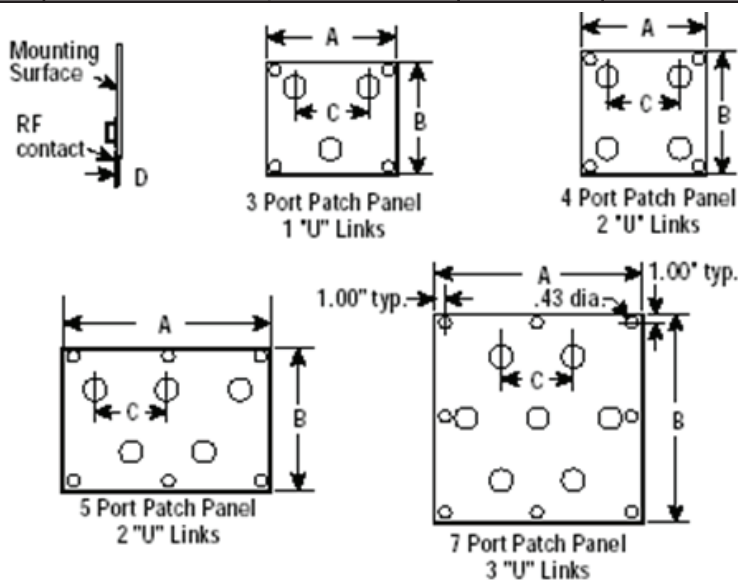
CP235-0NF 1 5/8-inch Three-Port QUICK PATCH™ Coaxial Patch Panel.

Coaxial Patch Panel U-Links are made with a lightweight aluminum outer conductor and high conductivity copper inner conductor. 3-port patch panels include one (1) "U" Link, 4 and 5-port patch panels include two (2) "U" Links, and 7-port patch panels include three (3) "U" Links with basic patch panel. Double pole, double throw (DPDT) interlock switches are optionally available.

Other accessories include customer floor stands, test adapters to Type N, flanged patch port connectors, dual interlock switches, floor stands, wall mounts, rack panel adapters and special ULinks. QUICK PATCH™ coaxial patch panels are also available in custom switching systems that can be supplied custom frames.

QUICK PATCH™ Coaxial Patch Panels

Part Number	Number of ports	Line Size	Impedance (ohms)	Dimensions, inches (mm)			
				A	B	C	D
EIA Flanged Coaxial Patch Panels							
CP235-EIA	3	1-5/8-inch	50	15 (381)	15 (381)	6 (152)	0.94 (24)
CP245-EIA	4	1-5/8-inch	50	15 (381)	15 (381)	6 (152)	0.94 (24)
CP255-EIA	5	1-5/8-inch	50	20 (508)	15 (381)	6 (152)	0.94 (24)
CP275-EIA	7	1-5/8-inch	50	20 (508)	20 (508)	6 (152)	0.94 (24)
CP335-EIA	3	3-1/8-inch	50	16 (406)	16 (406)	7 (178)	1 (25)
CP345-EIA	4	3-1/8-inch	50	15 (381)	15 (381)	7 (178)	1 (25)
CP355-EIA	5	3-1/8-inch	50	21 (533)	15.5 (394)	7 (178)	1 (25)
CP375-EIA	7	3-1/8-inch	50	21 (533)	23 (584)	7 (178)	1 (25)
CP435-EIA	3	4-1/16-inch	50	20 (508)	22 (559)	11 (279)	1 (25)
CP445-EIA	4	4-1/16-inch	50	22 (559)	22 (559)	11 (279)	1 (25)
CP455-EIA	5	4-1/16-inch	50	31 (787)	22 (559)	11 (279)	1 (25)
CP475-EIA	7	4-1/16-inch	50	32 (813)	32 (813)	11 (279)	1 (25)
CP635-EIA	3	6-1/8-inch	50	26 (660)	26 (660)	13 (330)	1.12 (28)
CP645-EIA	4	6-1/8-inch	50	26 (660)	26 (660)	13 (330)	1.12 (28)
CP655-EIA	5	6-1/8-inch	50	38 (965)	26 (660)	13 (330)	1.12 (28)
CP675-EIA	7	6-1/8-inch	50	38 (965)	38 (965)	13 (330)	1.12 (28)
Unflanged Coaxial Patch Panels							
CP235-ONF	3	1-5/8-inch	50	15 (381)	15 (381)	6 (152)	0.82 (21)
CP245-ONF	4	1-5/8-inch	50	15 (381)	15 (381)	6 (152)	0.82 (21)
CP255-ONF	5	1-5/8-inch	50	20 (508)	15 (381)	6 (152)	0.82 (21)
CP275-ONF	7	1-5/8-inch	50	20 (508)	20 (508)	6 (152)	0.82 (21)
CP335-ONF	3	3-1/8-inch	50	16 (406)	16 (406)	7 (178)	0.88 (22)
CP345-ONF	4	3-1/8-inch	50	15 (381)	15 (381)	7 (178)	0.88 (22)
CP355-ONF	5	3-1/8-inch	50	21 (533)	15.5 (394)	7 (178)	0.88 (22)
CP375-ONF	7	3-1/8-inch	50	21 (533)	23 (584)	7 (178)	0.88 (22)
CP435-ONF	3	4-1/16-inch	50	20 (508)	22 (559)	11 (279)	0.88 (22)
CP445-ONF	4	4-1/16-inch	50	32 (559)	22 (559)	11 (279)	0.88 (22)
CP455-ONF	5	4-1/16-inch	50	31 (787)	22 (559)	11 (279)	0.88 (22)
CP475-ONF	7	4-1/16-inch	50	32 (813)	32 (813)	11 (279)	0.88 (22)



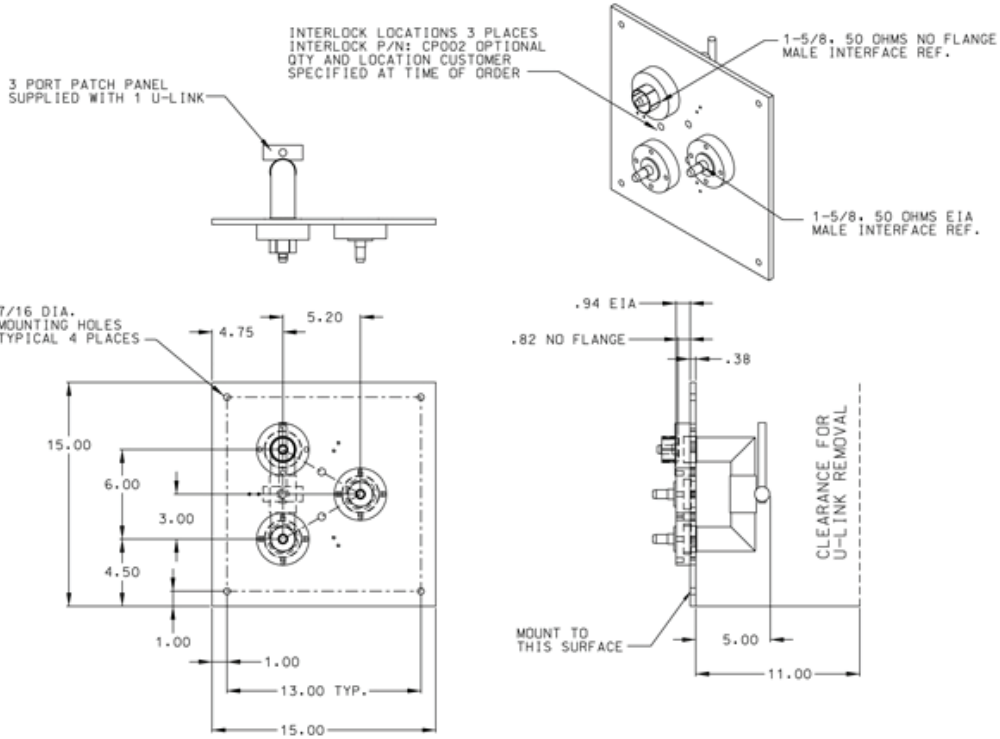
Electronics Research, Inc. • 7777 Gardner Road • Chandler, IN 47610-9219 • USA | +1 812 925-6000 (tel) • +1 812 925-4030 (fax)

Your Single Source for Broadcast Solutions™ • Call Toll-free at 877 ERI-LINE • Visit Online at www.eriinc.com

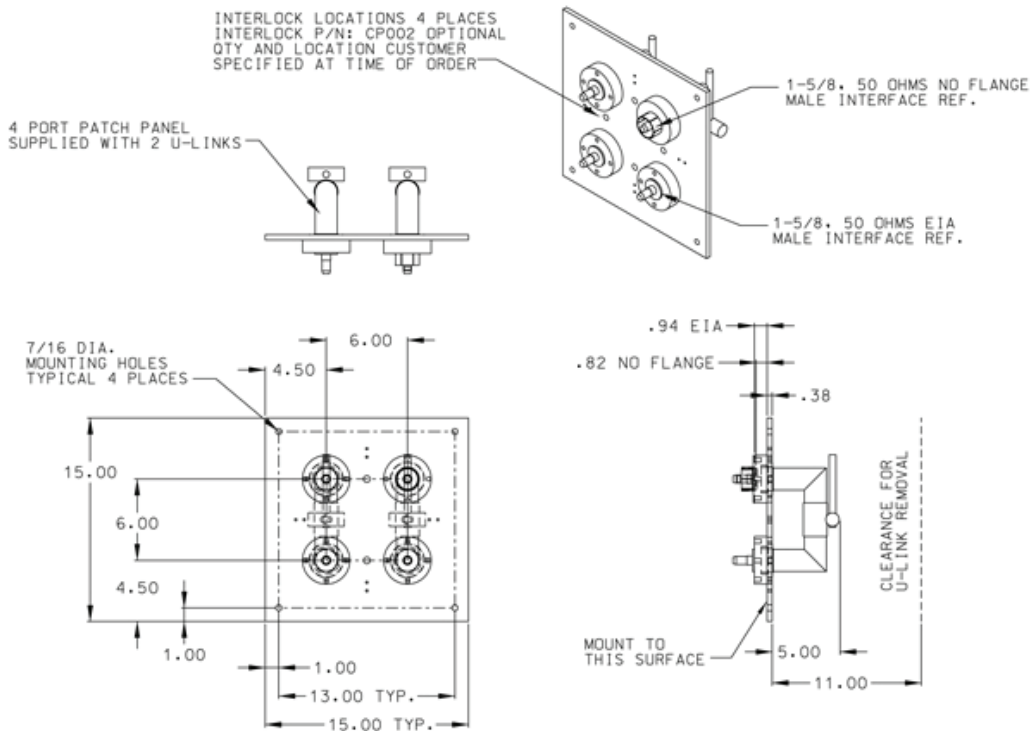
Revised 8-3-2023

© 2023 Electronics Research, Inc.

QUICK PATCH™ Coaxial Patch Panels

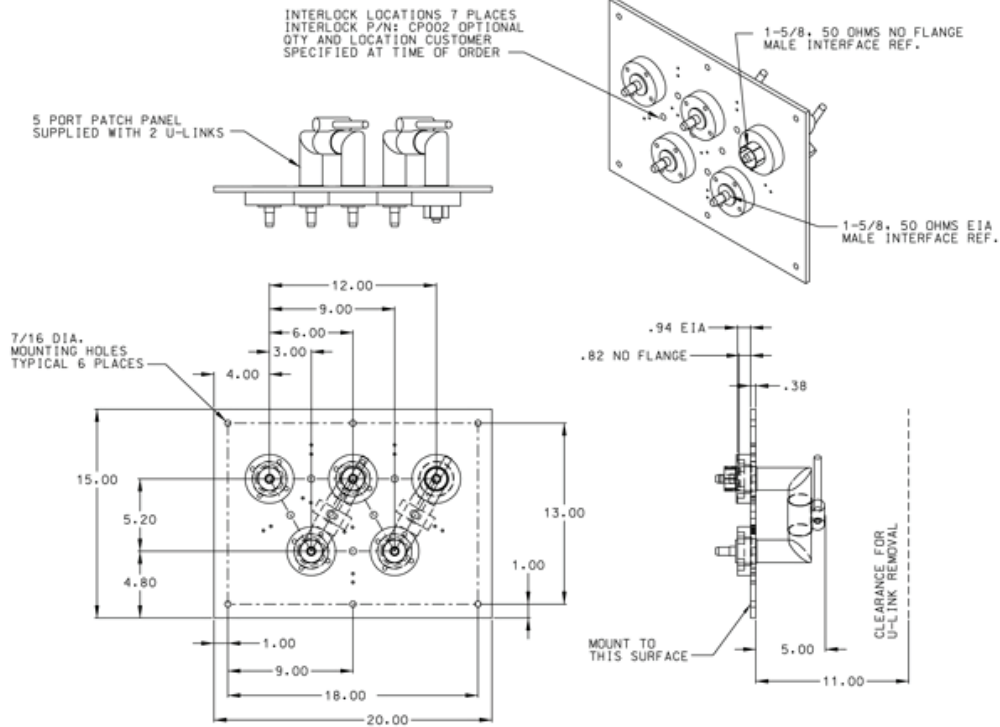


CP235-0NF & CP235-EIA 1 5/8-inch, three-port QUICK PATCH™ Coaxial Patch Panel.
All dimensions shown in inches. Weight: 13 pounds.

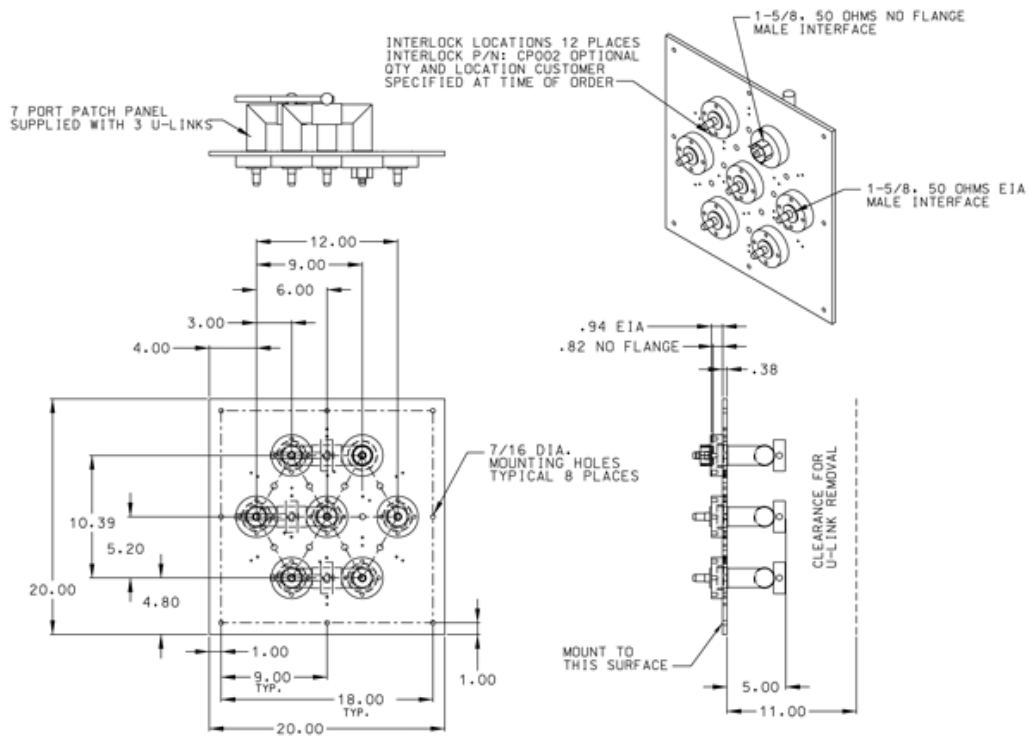


CP245-0NF and CP245-EIA 1-5/8-inch, four-port QUICK PATCH™ Coaxial Patch Panel.
All dimensions shown in inches. Weight: 20 pounds.

QUICK PATCH™ Coaxial Patch Panels

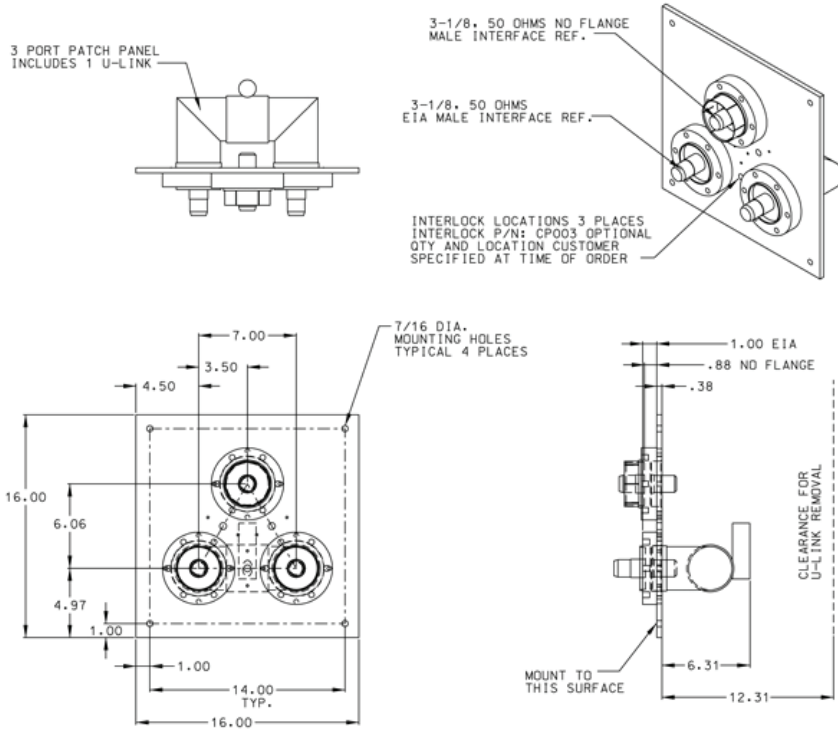


CP255-0NF and CP255-EIA 1-5/8-inch, five-port QUICK PATCH™ Coaxial Patch Panel.
All dimensions shown in inches. Weight: 25 pounds.

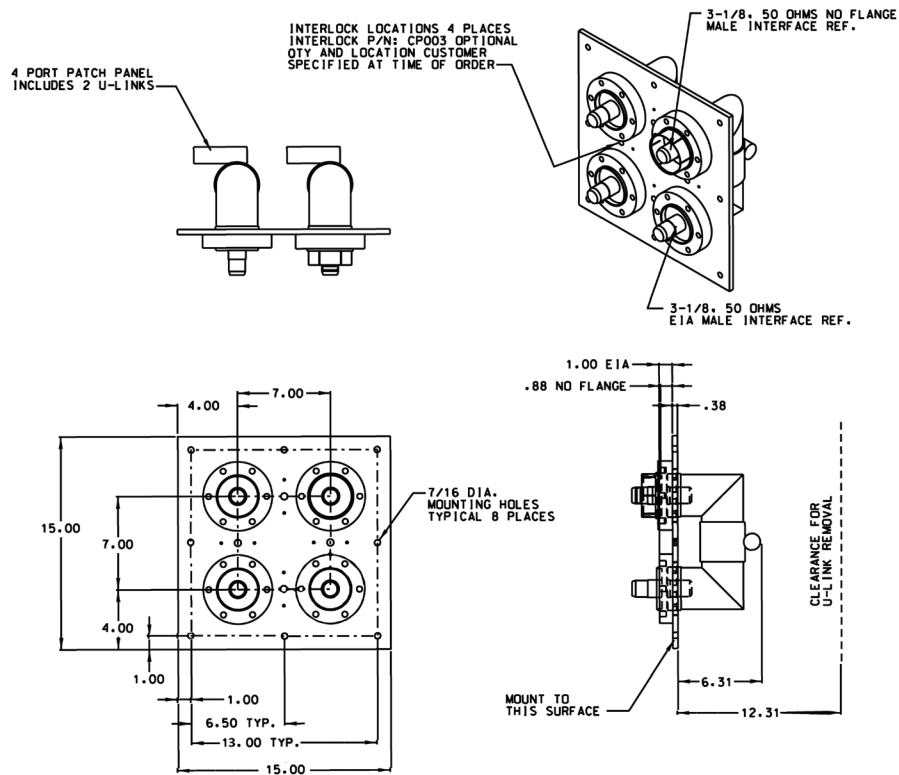


CP275-0NF and CP275-EIA 1-5/8-inch, seven-port QUICK PATCH™ Coaxial Patch Panel.
All dimensions shown in inches. Weight: 34 pounds.

QUICK PATCH™ Coaxial Patch Panels

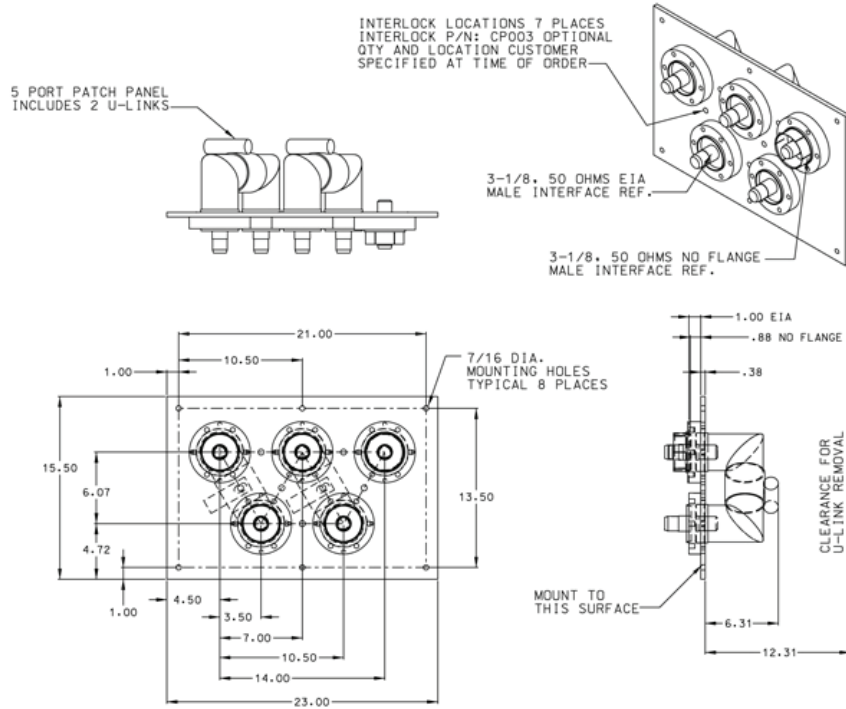


CP335-0NF and CP335-EIA 3-1/8-inch, three-port QUICK PATCH™ Coaxial Patch Panel.
All dimensions shown in inches. Weight: 24 pounds.

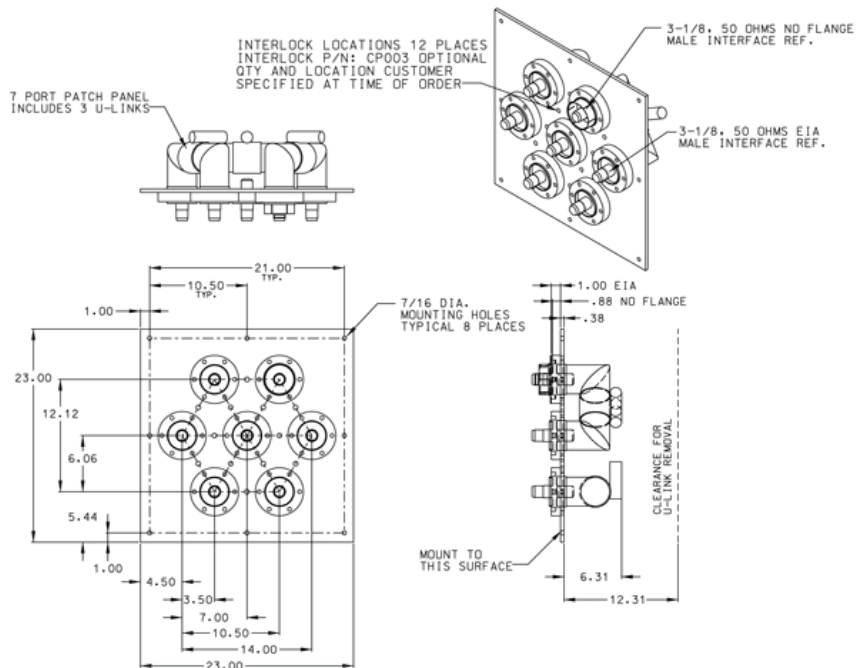


CP345-0NF and CP345-EIA 3-1/8-inch, three-port QUICK PATCH™ Coaxial Patch Panel.
All dimensions shown in inches. Weight: 32 pounds.

QUICK PATCH™ Coaxial Patch Panels

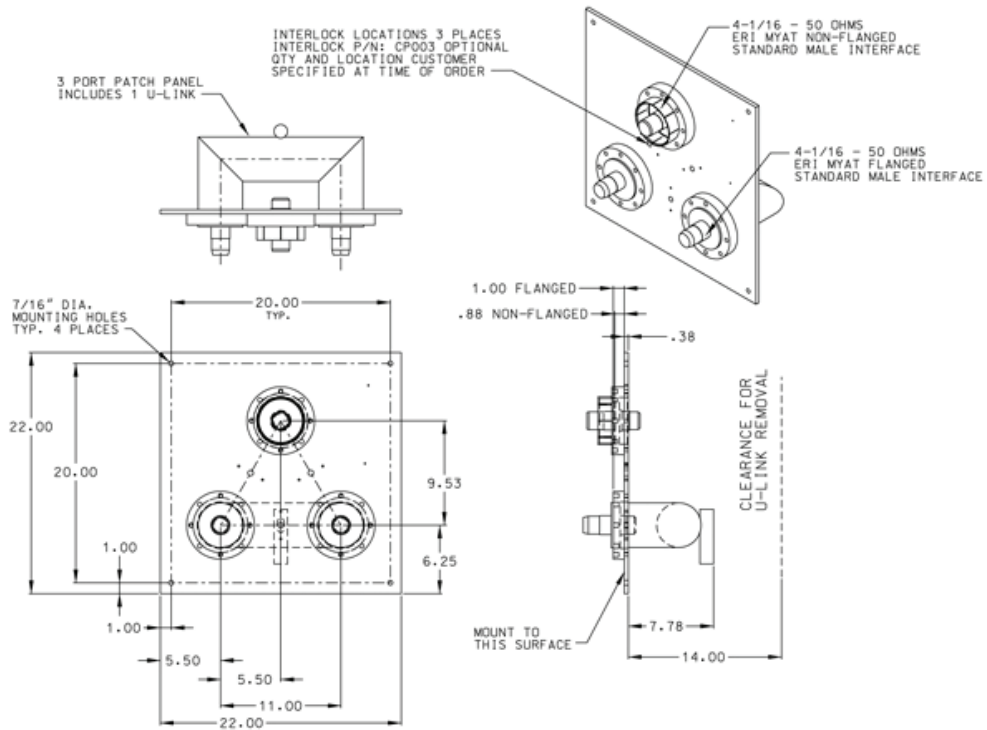


CP355-0NF and CP355-EIA 3-1/8-inch, five-port QUICK PATCH™ Coaxial Patch Panel.
All dimensions shown in inches. Weight: 37 pounds.

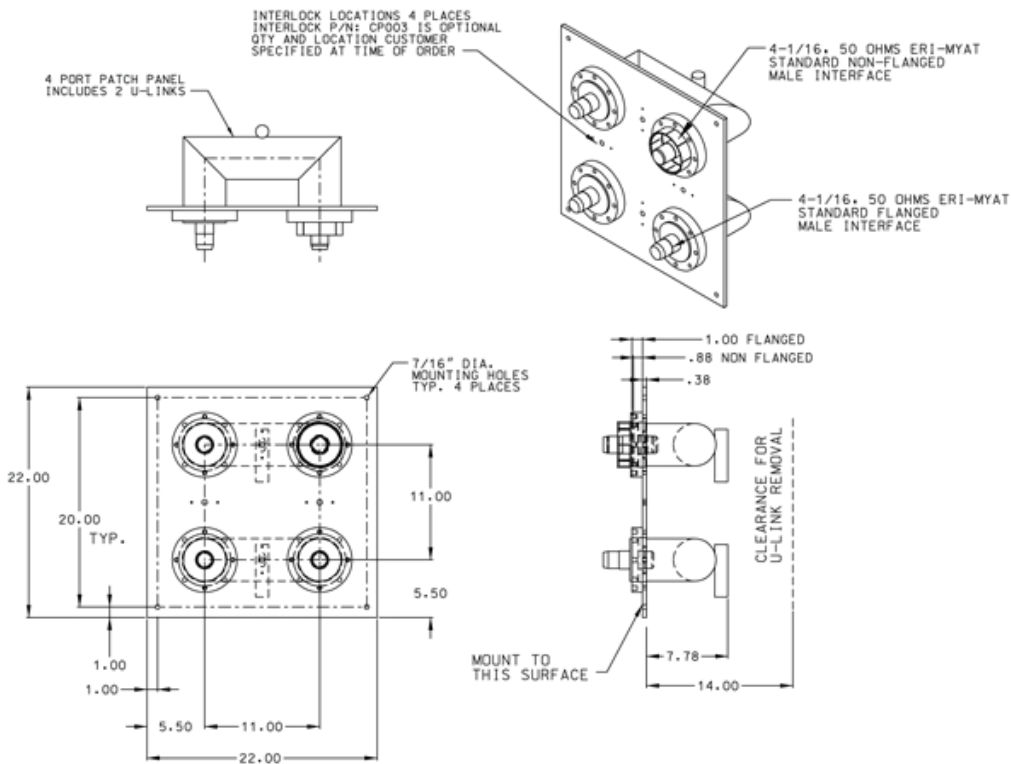


CP375-0NF and CP375-EIA 3-1/8-inch, seven-port QUICK PATCH™ Coaxial Patch Panel.
All dimensions shown in inches. Weight: 53 pounds.

QUICK PATCH™ Coaxial Patch Panels

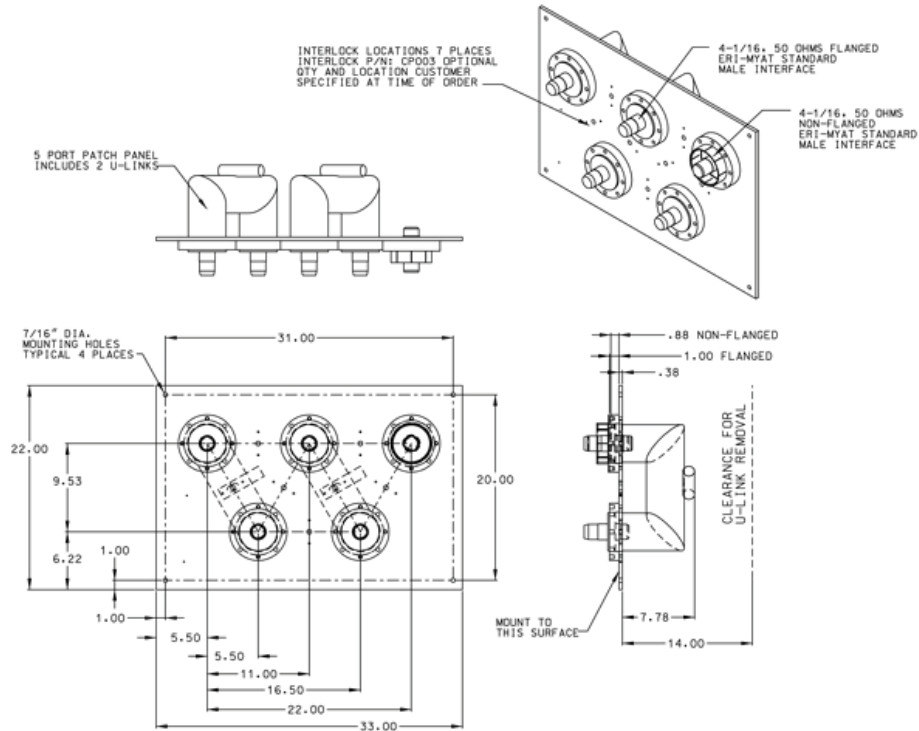


CP435-0NF and CP435-EIA 4-1/16-inch, three-port QUICK PATCH™ Coaxial Patch Panel.
All dimensions shown in inches. Weight: 41 pounds.

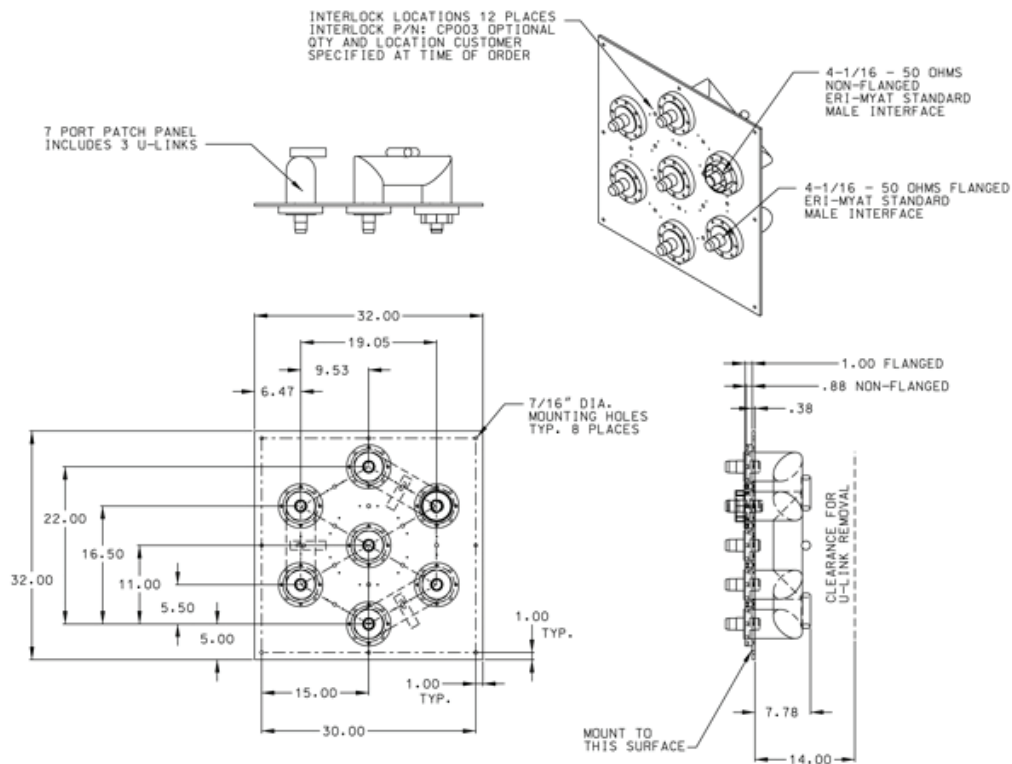


CP445-0NF and CP445-EIA 4-1/16-inch, four-port QUICK PATCH™ Coaxial Patch Panel.
All dimensions shown in inches. Weight: 54 pounds.

QUICK PATCH™ Coaxial Patch Panels

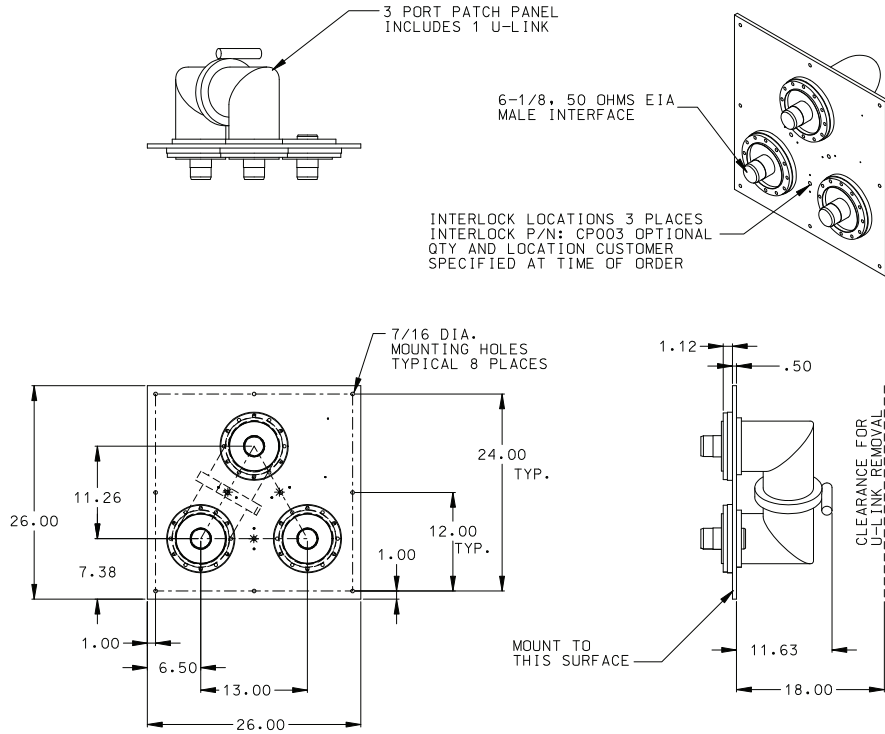


CP455-0NF and CP455-EIA 4-1/16-inch, five-port QUICK PATCH™ Coaxial Patch Panel.
All dimensions shown in inches. Weight: 66 pounds.

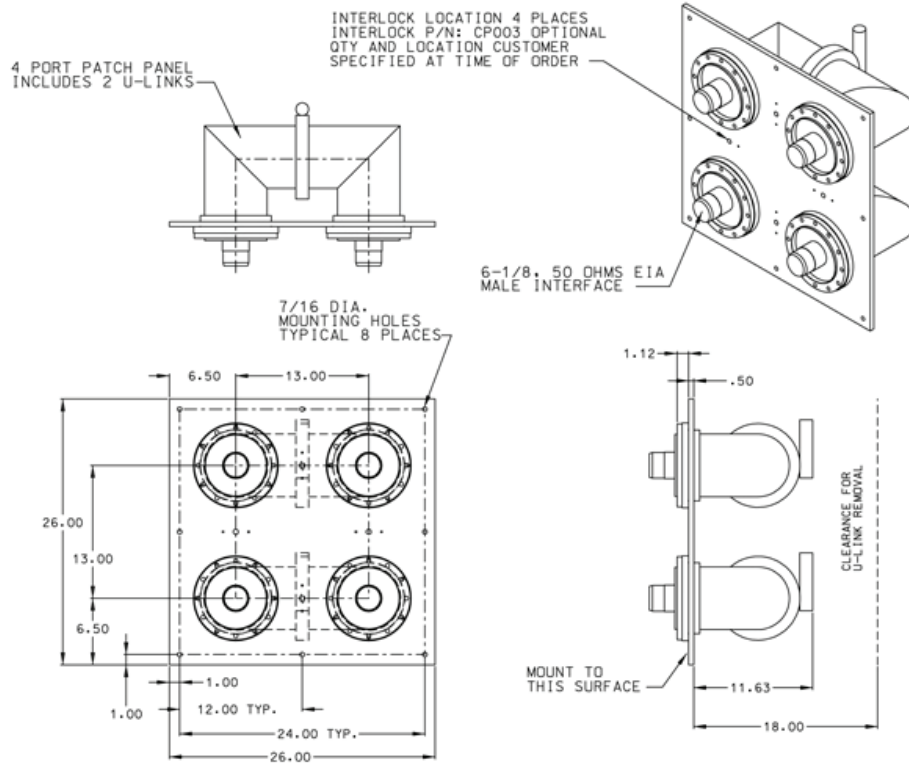


CP475-0NF and CP475-EIA 4-1/16-inch, seven-port QUICK PATCH™ Coaxial Patch Panel.
All dimensions shown in inches. Weight: 93 pounds.

QUICK PATCH™ Coaxial Patch Panels

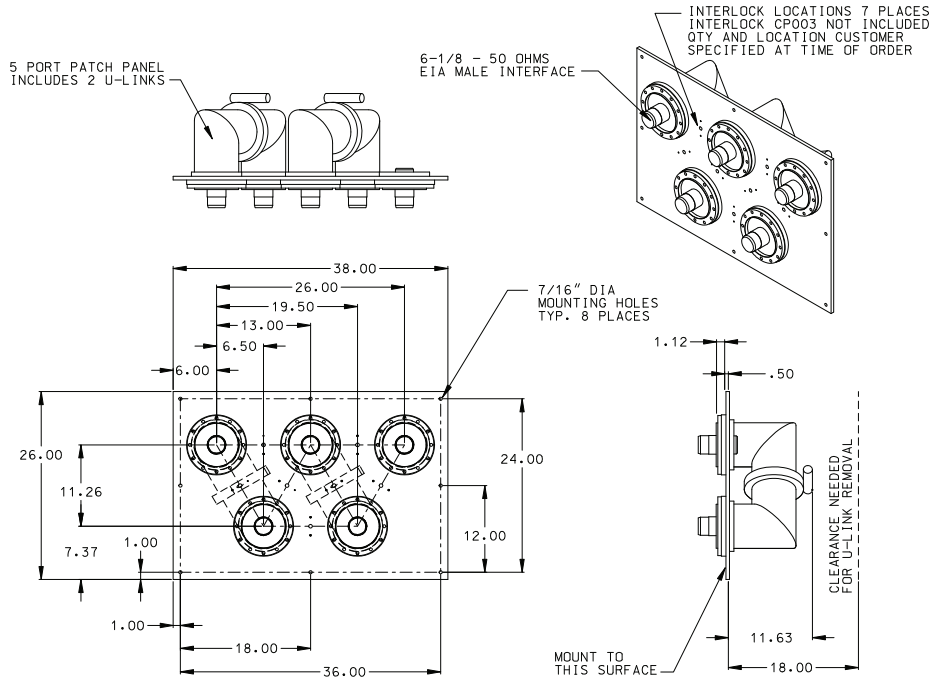


CP635-EIA 6-1/8-inch, 50-ohm, three-port QUICK PATCH™ Coaxial Patch Panel.
All dimensions shown in inches. Weight: 50 pounds.

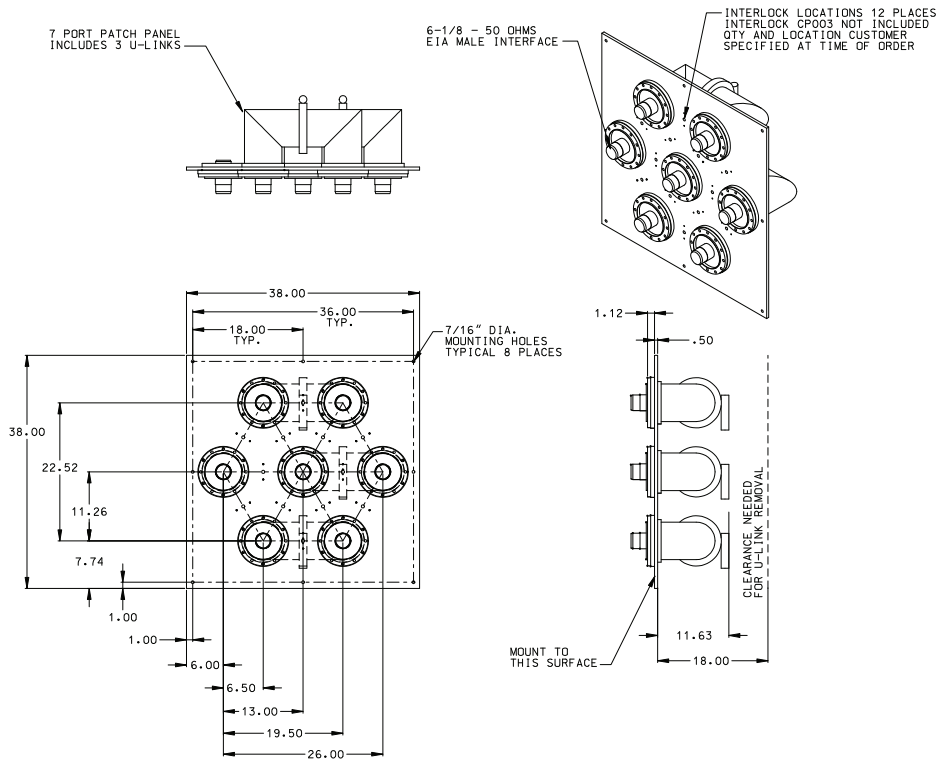


CP645-EIA 6-1/8-inch, 50-ohm, four-port QUICK PATCH™ Coaxial Patch Panel.
All dimensions shown in inches. Weight: 69 pounds.

QUICK PATCH™ Coaxial Patch Panels



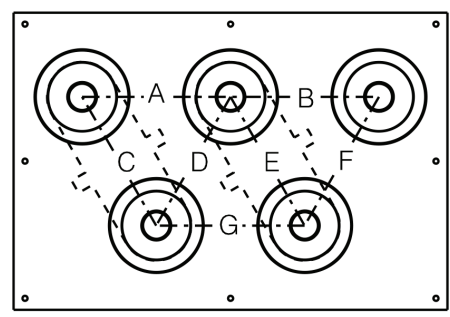
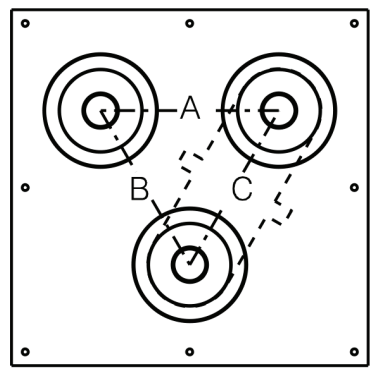
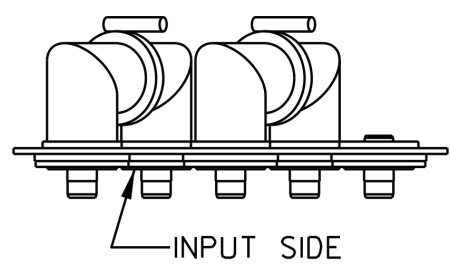
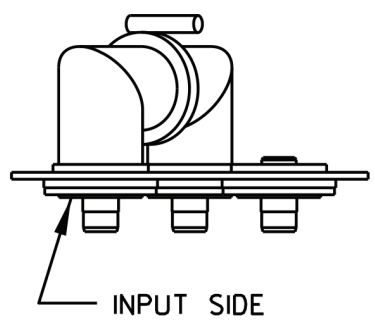
CP655-EIA 6-1/8-inch, 50-ohm, five-port QUICK PATCH™ Coaxial Patch Panel.
All dimensions shown in inches. Weight: 113 pounds.



CP675-EIA 6-1/8-inch, 50-ohm, seven-port QUICK PATCH™ Coaxial Patch Panel.
All dimensions shown in inches. Weight: 163 pounds.

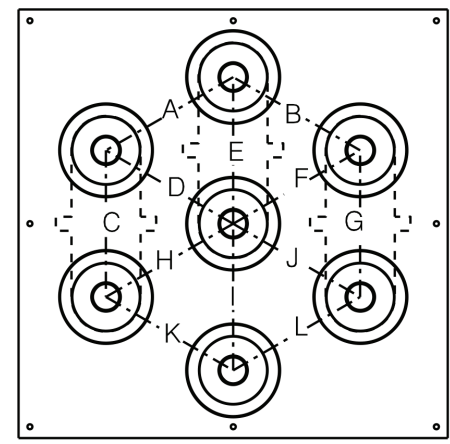
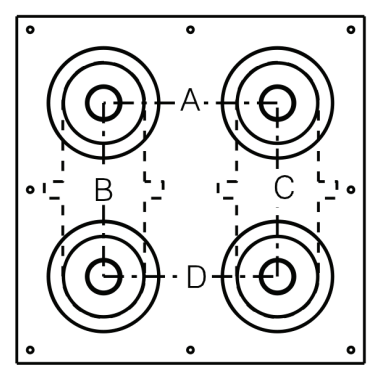
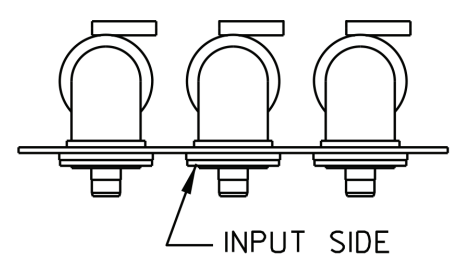
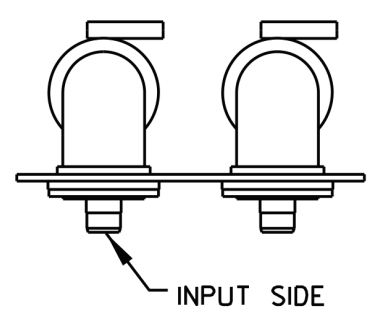
QUICK PATCH™ Coaxial Patch Panels

CP675-EIA 6-1/8-inch, 50-ohm, seven-port QUICK PATCH™ Coaxial Patch Panel.
All dimensions shown in inches. Weight: 163 pounds.



INTERLOCK LOCATIONS AS VIEWED FROM INPUT SIDE OF PATCH PANEL

INTERLOCK LOCATIONS AS VIEWED FROM INPUT SIDE OF PATCH PANEL



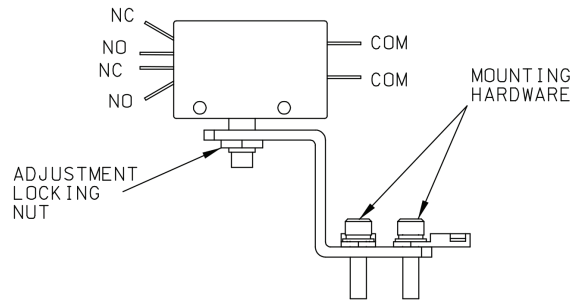
INTERLOCK LOCATIONS AS VIEWED FROM INPUT SIDE OF PATCH PANEL

INTERLOCK LOCATIONS AS VIEWED FROM INPUT SIDE OF PATCH PANEL

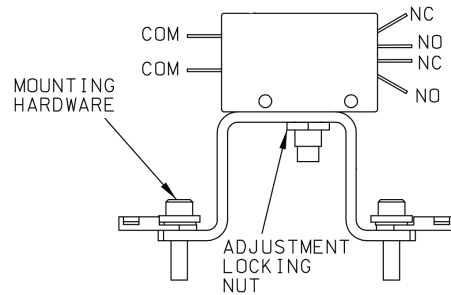
QUICK PATCH™ Coaxial Patch Panels

QUICK PATCH™ Interlock Switches

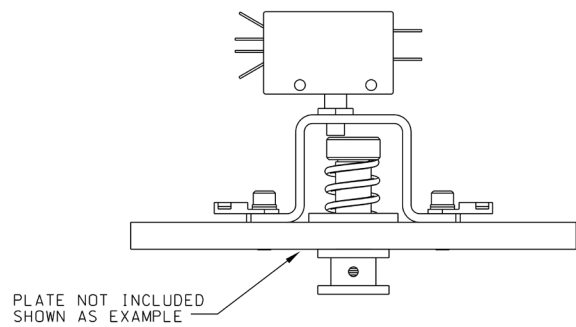
CP002 1-5/8-inch interlock switch kits (DPDT) are not included and must be added per customer quantity and location. Connections are normally closed when U-Link engaged.



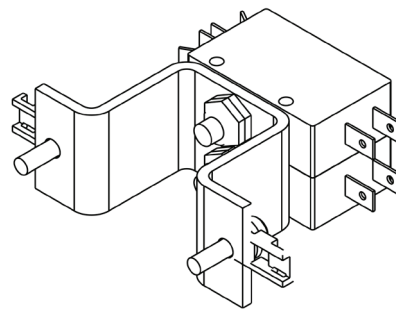
CP003 3-1/8-inch, 4-1/16-inch, and 6-1/8-inch Interlock switch kits (DPDT) are not included and must be added per customer quantity and location. Connections are normally closed when U-Link engaged.



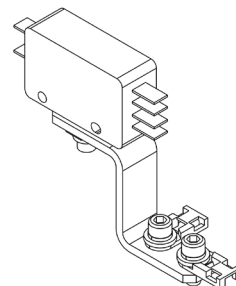
CP003-ASSY 3-1/8-inch, 4-1/16-inch, and 6-1/8-inch Interlock switch kits (DPDT) for field replacement. Includes Lug and Spring Parts. Connections are normally closed when U-Link engaged.



CP004 3-1/8-inch, 4-1/16-inch, and 6-1/8-inch dual Interlock switch kits (DPDT) for field replacement. Connections are normally closed when U-Link engaged.



CP005 1-5/8-inch dual Interlock switch kits (DPDT) for field replacement. Two required for each port. Connections are normally closed when U-Link engaged.



QUICK PATCH™ Coaxial Patch Panels

QUICK PATCH™ Field Replacement QUICK PATCH™ Flange Assemblies

- CP4-FLGD-PORT 4-1/16-inch flange assembly for replacement or field installation in CP4x5 QUICK PATCH™ Coaxial Patch Panels. Includes connector and hardware.
- CP6-EIA-PORT 6-1/8-inch, 50-ohm, flange assembly for replacement or field installation in CP6x5 QUICK PATCH™ Coaxial Patch Panels. Includes connector and hardware.

QUICK PATCH™ Spare and Special U-Link Assemblies

- CP205 1-5/8-inch QUICK PATCH™ Coaxial Patch Panel U-Link Spare
- CP305 3-1/8-inch QUICK PATCH™ Coaxial Patch Panel U-Link Spare
- CP301 Special 3-1/8-inch U-Link with 14-inch centers for CP355, CP375, CP385, and CP395 QUICK PATCH™ Coaxial Patch Panels. Connect two (2) diagonally in-line non-adjacent ports.
- CP302 Special 3-1/8-inch U-Link with 12-1/8-inch centers for CP375, CP385, and CP395 QUICK PATCH™ Coaxial Patch Panels. Connect two (2), horizontally or vertically in-line, non-adjacent ports on staggered layout panels.
- CP306 Special 3-1/8-inch U-Link with 14-inch centers for CP355, CP375, CP385, and CP395 QUICK PATCH™ Coaxial Patch Panels. Connect two (2) in-line diagonally non-adjacent ports. Includes double handles.
- CP405 4-1/16-inch QUICK PATCH™ Coaxial Patch Panel U-Link Spare
- CP405-1556 Special 4-1/16-inch U-Link with 15.56-inch centers for CP018 QUICK PATCH™ Coaxial Patch Panel.
- CP605 6-1/8-inch QUICK PATCH™ Coaxial Patch Panel U-Link Spare
- CP605-1838 Special 6-1/8-inch U-Link with 18.38-inch centers for CP019 QUICK PATCH™ Coaxial Patch Panel.
- FG885 6-1/8-inch U Link optional handle kit. Includes two handles. One kit required per U Link.

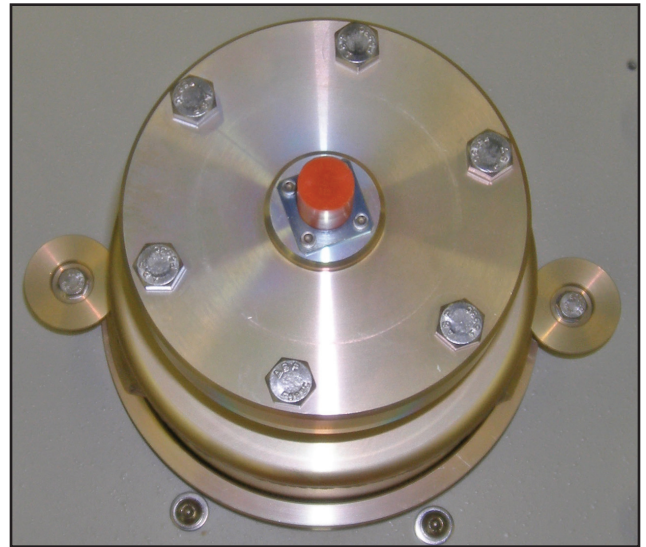
- 1329350-UL1 3-1/8-inch U Link to connect two adjacent ports of standard 3-1/8-inch QUICK PATCH™ Coaxial Patch Panel. Unflanged interface of CP3x5-0NF patch panels. To use with CP3x5-EIA Patch Panels purchase two (2) ERI Part Number 1329300-38 3-1/8-inch clamp on EIA flange adapters separately.



QUICK PATCH™ Coaxial Patch Panels

QUICK PATCH™ Adapters to Type N

- CR207 1-5/8-inch QUICK PATCH™ Coaxial Patch Panel Adaptor to Type N, female.
- CR309 3-1/8-inch QUICK PATCH™ Coaxial Patch Panel Adaptor to Type N, female. Includes six (6) support posts, two (2) required for each test position.
- CR309-KIT Six (6) additional support posts for CR309, two required for each additional test position.
- CR413 Panel 4-1/16-inch QUICK PATCH™ Coaxial Patch Adaptor to Type N, female.
- CR609B 6-1/8-inch QUICK PATCH™ Coaxial Patch Panel Adaptor to Type N, female. Includes six (6) support posts, two (2) required for each test position.
- CR609B-KIT Six (6) additional support posts for CR609B, two required for each additional test position.



QUICK PATCH™ Adapters to Coaxial Flanges

- CP200 1-5/8-inch QUICK PATCH™ Coaxial Patch Panel Adaptor to 1-5/8-inch Flanged Connection
- CP300 3-1/8-inch QUICK PATCH™ Coaxial Patch Panel Adaptor to 3-1/8-inch Flanged Connection
- CP400 4-1/16-inch QUICK PATCH™ Coaxial Patch Panel Adaptor to 4-1/16-inch Flanged Connection
- CP600 6-1/8-inch QUICK PATCH™ Coaxial Patch Panel Adaptor to 6-1/8-inch Flanged Connection



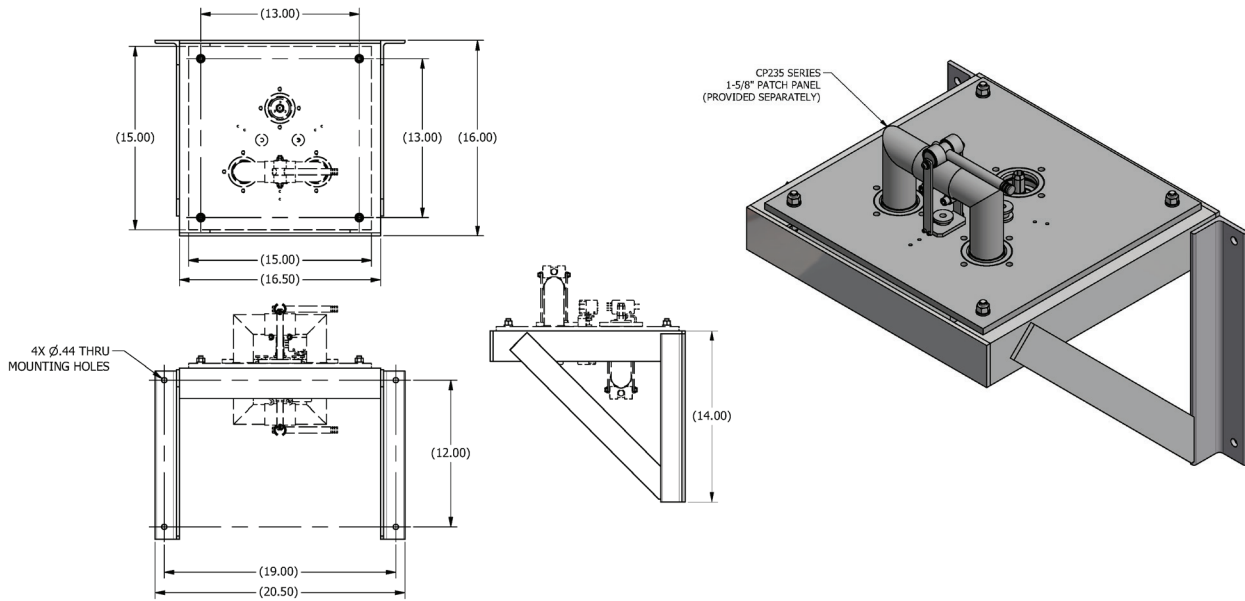
Rack Mount Adapters

- RM-CP345 Rack mount adapter for CP345.
Rack mount adapter plate for ERI Model CP345 QUICK PATCH™ four port coaxial patch panel. Adapter plate for 19-inch rack. 10 rack units (17.491 inches high). Includes hardware to mount CP345, which is purchased separately. Hardware to mount in rack is customer supplied.
- RM-CP235 Rack mount adapter for CP235 and CP245.
Rack mount adapter plate for ERI Models CP235 and CP245 QUICK PATCH™ three port coaxial patch panel. Adapter plate for 19-inch rack. 9 rack units (15.741 inches high). Includes hardware to mount CP235 or CP245, which is purchased separately. Hardware to mount in rack is customer supplied.

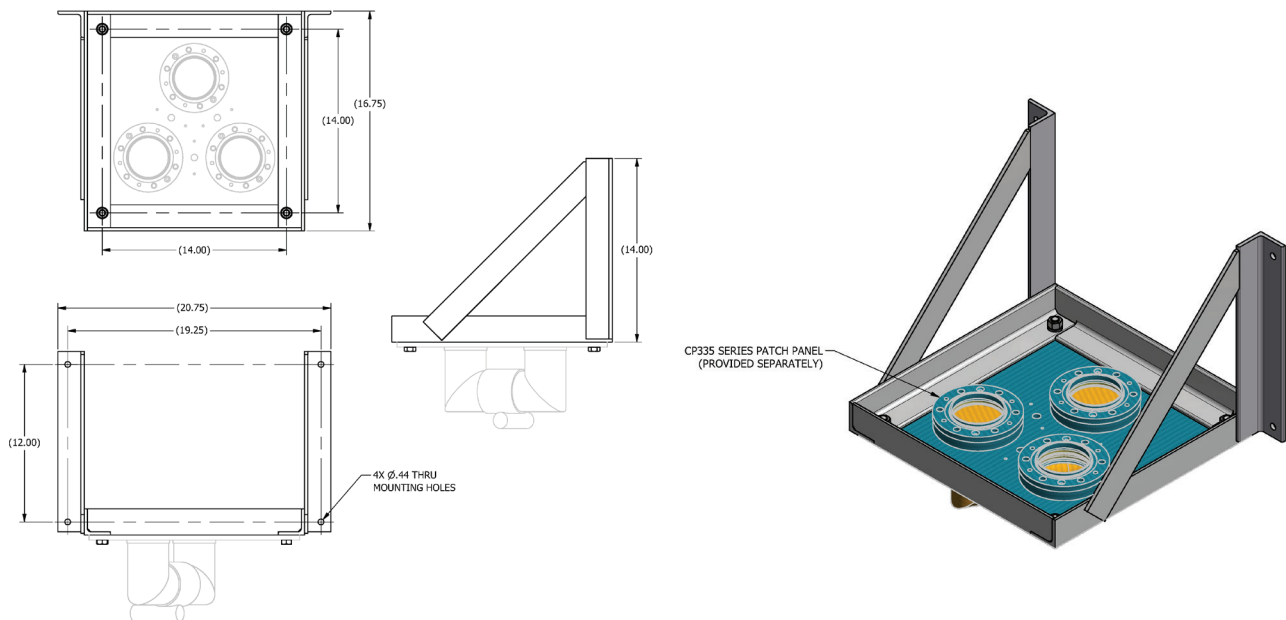
QUICK PATCH™ Coaxial Patch Panels

Wall Mounted Support Frames

CP235-AS1 Wall mounted support frame for CP235, CP245, and CP345 Patch Panel.
 Wall mounted support frames that supports CP235, CP245, and CP345 QUICK PATCH™ Coaxial Patch Panel parallel to floor. Dimensions are 20.5 inches wide x 16 inches deep x 14 inches high. Black finish. Includes hardware to mount patch panel to support frame. Hardware to connect support frame to building wall is customer supplied.



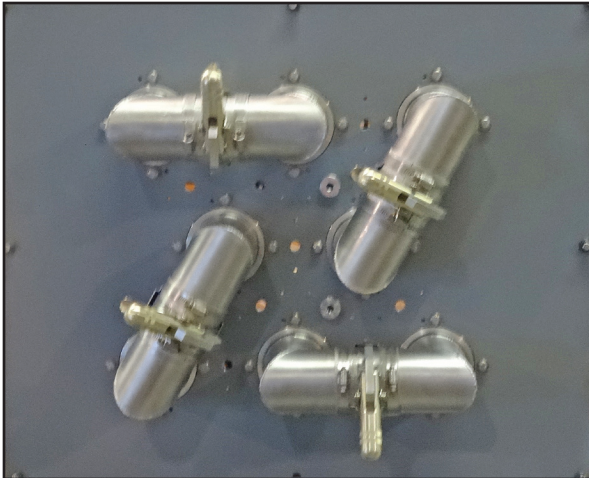
CP335-AS1 Wall mounted support frame for CP335 Patch Panel.
 Wall mounted support frames that supports CP335 QUICK PATCH™ Coaxial Patch Panel parallel to floor. Dimensions are 20.75 inches wide x 16.75-inches deep x 14 inches high. Black finish. Includes hardware to mount CP335 to support frame. Hardware to connect support frame to building wall is customer supplied.



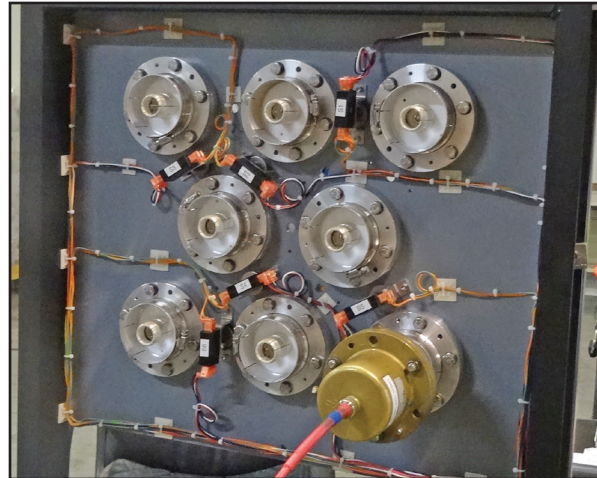
QUICK PATCH™ Coaxial Patch Panels

QUICK PATCH™ Special Configurations

CP385 Eight Port Coaxial QUICK PATCH™ Coaxial Patch Panel



CP385-0NF Eight (8) Port QUICK PATCH™ Patch Panel with four (4) U-Links



CP385-0NF Eight (8) Port QUICK PATCH™ Patch Panel input side with optional DPDT interlock switches mounted in a custom rack frame with interlocks wired to terminal strips in a central connection box.

Features

- Quick Connect
- Auto Locking
- Reduced Weight
- Positive Pre-removal Interlocks
- Replaceable Contacts

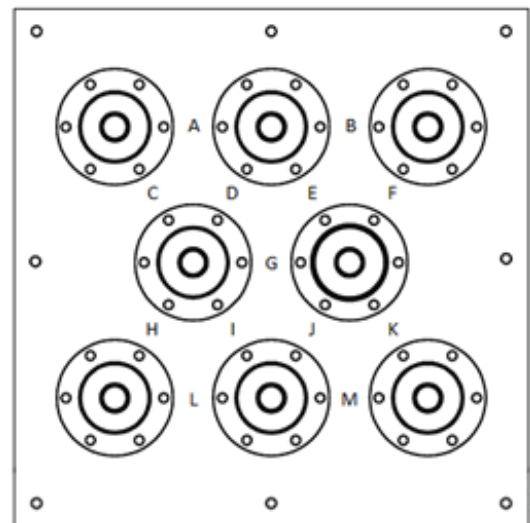
Specifications

Frequency	FM, VHF, UHF
Power	90% of line rating
VSWR	1.04:1 max
Interlocks	DPDT (optional)
Height	25.00-inches (635-millimeters)
Width	30.00-inches (762-millimeters)
Port to Port	7.00-inches (178-millimeters)
Part Number	CP385-0NF 8 port unflanged, 3-1/8-inch
	CP385-EIA 8 port EIA flanged, 3-1/8-inch

QUICK PATCH™ coaxial patch panels are a new and unique design that allows for quick and positive change-over of any number of system inputs and outputs. This, combined with a positive pre-removal interlock system, provides ease of use with high reliability. All patch links employ a positive locking handle with a lightweight aluminum outer and a high conductivity copper inner.

The QUICK PATCH™ Coaxial Patch Panel is known for its unique U-Link release and capture system, the QUICK PATCH™ Coaxial Patch Panel offers the easiest and quickest U-Link remove and replace action in the industry.

Coaxial Patch Panel U-Links are made with a lightweight aluminum outer conductor and high conductivity copper inner conductor. 8-port patch panels include four (4) "U" Links with basic patch panel. Double pole, double throw (DPDT) interlock switches are optionally available.



Interlock locations as viewed from input side of patch panel

QUICK PATCH™ Coaxial Patch Panels

CP395 Nine Port Coaxial QUICK PATCH™ Coaxial Patch Panel

Features

- Quick Connect
- Auto Locking
- Reduced Weight
- Positive Pre-removal Interlocks
- Replaceable Contacts

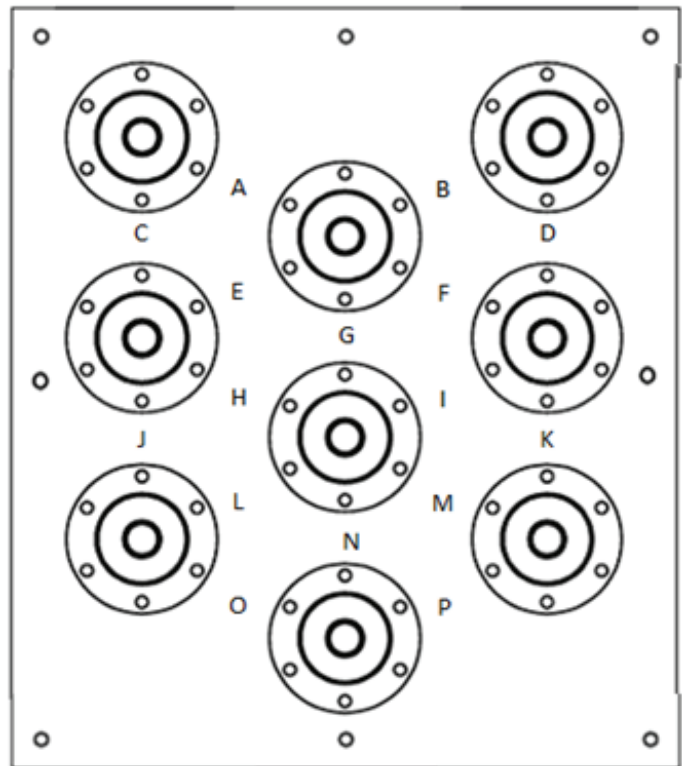
Specifications

Frequency	FM, VHF, UHF	
Power	90% of line rating	
VSWR	1.04:1 max	
Interlocks	DPDT (optional)	
Height	25.00-inches	(635-millimeters)
Width	30.00-inches	(762-millimeters)
Port to Port	7.00-inches	(178-millimeters)
Part Number	CP395-0NF	9 port unflanged, 3-1/8-inch
	CP395-EIA	9 port EIA flanged, 3-1/8-inch

QUICK PATCH™ coaxial patch panels are a new and unique design that allows for quick and positive change-over of any number of system inputs and outputs. This, combined with a positive pre-removal interlock system, provides ease of use with high reliability. All patch links employ a positive locking handle with a lightweight aluminum outer and a high conductivity copper inner.

The QUICK PATCH™ Coaxial Patch Panel is known for its unique U-Link release and capture system, the QUICK PATCH™ Coaxial Patch Panel offers the easiest and quickest U-Link remove and replace action in the industry.

Coaxial Patch Panel U-Links are made with a light-weight aluminum outer conductor and high conductivity copper inner conductor. 8-port patch panels include four (4) "U" Links with basic patch panel. Double pole, double throw (DPDT) interlock switches are optionally available.



DPDT Interlock locations as viewed from input side of patch panel

QUICK PATCH™ Coaxial Patch Panels

- CP010 ERI QUICK PATCH™ Coaxial Patch Panel. 3-1/8-inch, 8 port patch panel with four (4) U-Links. 3-1/8-inch EIA flanged, male, connections.
- CP010-SPECIAL ERI QUICK PATCH™ Coaxial Patch Panel. 3-1/8-inch, 8 port patch panel with storage for two (2) spare U-Links and includes six (6) U-Links. 3-1/8-inch EIA flanged, male, connections.
- CP011 ERI QUICK PATCH™ Coaxial Patch Panel. 1-5/8-inch, 12 port patch panel with six (6) U-Links. 1-5/8-inch EIA flanged, male, connections.
- CP012 ERI QUICK PATCH™ Coaxial Patch Panel. 3-1/8-inch, 12 port patch panel with six (6) U-Links. 3-1/8-inch EIA flanged, male, connections.
- CP014 ERI QUICK PATCH™ Coaxial Patch Panel. 6-1/8-inch, 50 ohm, 3 port patch, special spacing, panel with one (1) U-Link. 6-1/8-inch, 50 ohm, EIA flanged, male, connections.
- CP015 ERI QUICK PATCH™ Coaxial Patch Panel. 4-1/16-inch, 9 port patch panel with four (4) U-Links. 4-1/16-inch flanged, male, connections.
- CP016 ERI QUICK PATCH™ Coaxial Patch Panel. 1-5/8-inch, 8 port patch panel with four (4) U-Links. 1-5/8-inch EIA flanged, male, connections.
- CP017 ERI QUICK PATCH™ Coaxial Patch Panel. 3-1/8-inch, 5 port patch panel, special spacing - all in one row, with two (2) U-Links. 3-1/8-inch EIA flanged, male, connections.
- CP018 ERI QUICK PATCH™ Coaxial Patch Panel. 4-1/16-inch, 5 port patch panel, special spacing, with two (2) U-Links. 3-1/16-inch flanged, male, connections.
- CP019 ERI QUICK PATCH™ Coaxial Patch Panel. 6-1/8-inch, 5 port patch panel, special spacing, with two (2) U-Links. 6-1/8-inch EIA flanged, male, connections.
- CP020 ERI QUICK PATCH™ Coaxial Patch Panel. 1-5/8-inch, 12 port patch panel, special spacing with six (6) U-Links. 1-5/8-inch EIA flanged, male, connections.
- CP021 ERI QUICK PATCH™ Coaxial Patch Panel. 1-5/8-inch, 9 port rack mounted (19 inch rack) patch panel with four (4) U-Links. 1-5/8-inch EIA flanged, male, connections.