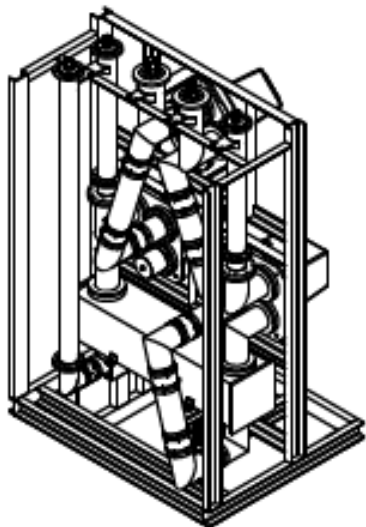


70 kW FM Switching Combiner

70 kW Switching Combiner System for FM
Any Single FM Channel (88.1 to 107.9 MHz)
2 x 35 kW average power



The FM Switching Combiner consists of (1) Coaxial Hybrid used as a 2-way power combiner with (3) Motorized Coaxial Switches to route the transmitter signals to the combiner, to a test load port or to the system output. See the simplified block diagram below.

The system is constructed with 3-1/8 inch and 4-1/16-inch coaxial transmission lines and resides in an aluminum floor-mount base frame with vertical input and output connections. Reject and test loads are not included.

The two input signals from the transmitters must be in quadrature.

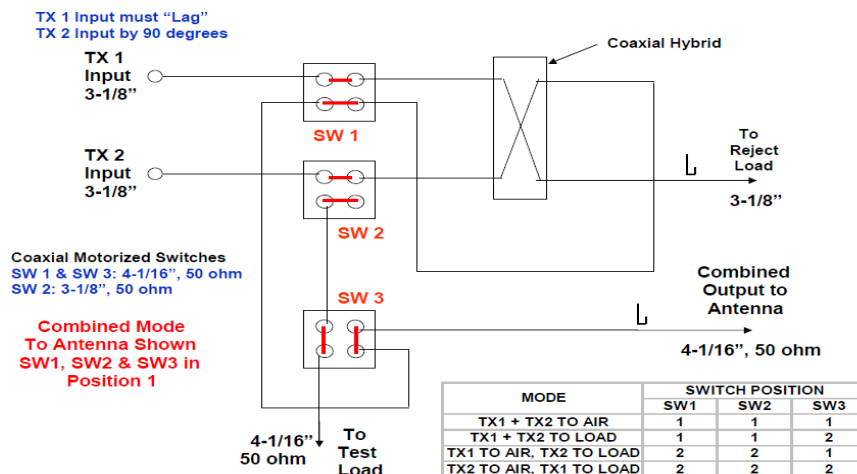
2 x 35 kW avg. FM Switching Combiner System includes:

- (1) 3 dB Coaxial Hybrid Coupler
- (3) Motorized Coaxial Switch, 4-1/16 inch
- Interconnect components between the above items
- Floor-mount base frame

Specifications:

- Inputs: 3-1/8-inch, 50-ohm EIA flanged
- Reject Load Port: 3-1/8-inch, 50-ohm EIA flanged
- Combined Output: 4-1/16-inch, 50-ohm flanged
- Test Load Port: 4-1/16-inch, 50-ohm flanged
- TX 1 input signal must "lag" TX 2 input signal by 90 degrees
- Switch AC Supply: 120 or 240 VAC, specify with order
- Switch Control: 12 VDC or 24 VDC specify with order
- Reject Load and Test Load are not included
- Output Power Rating: 70 kW avg.
- Input Return Loss: 28 dB or less 88.1 to 107.9 MHz (all modes)
- Input Isolation: 30 dB min. over 88.1 to 107.9 MHz
- Approx. Dimensions: See layout drawing next page

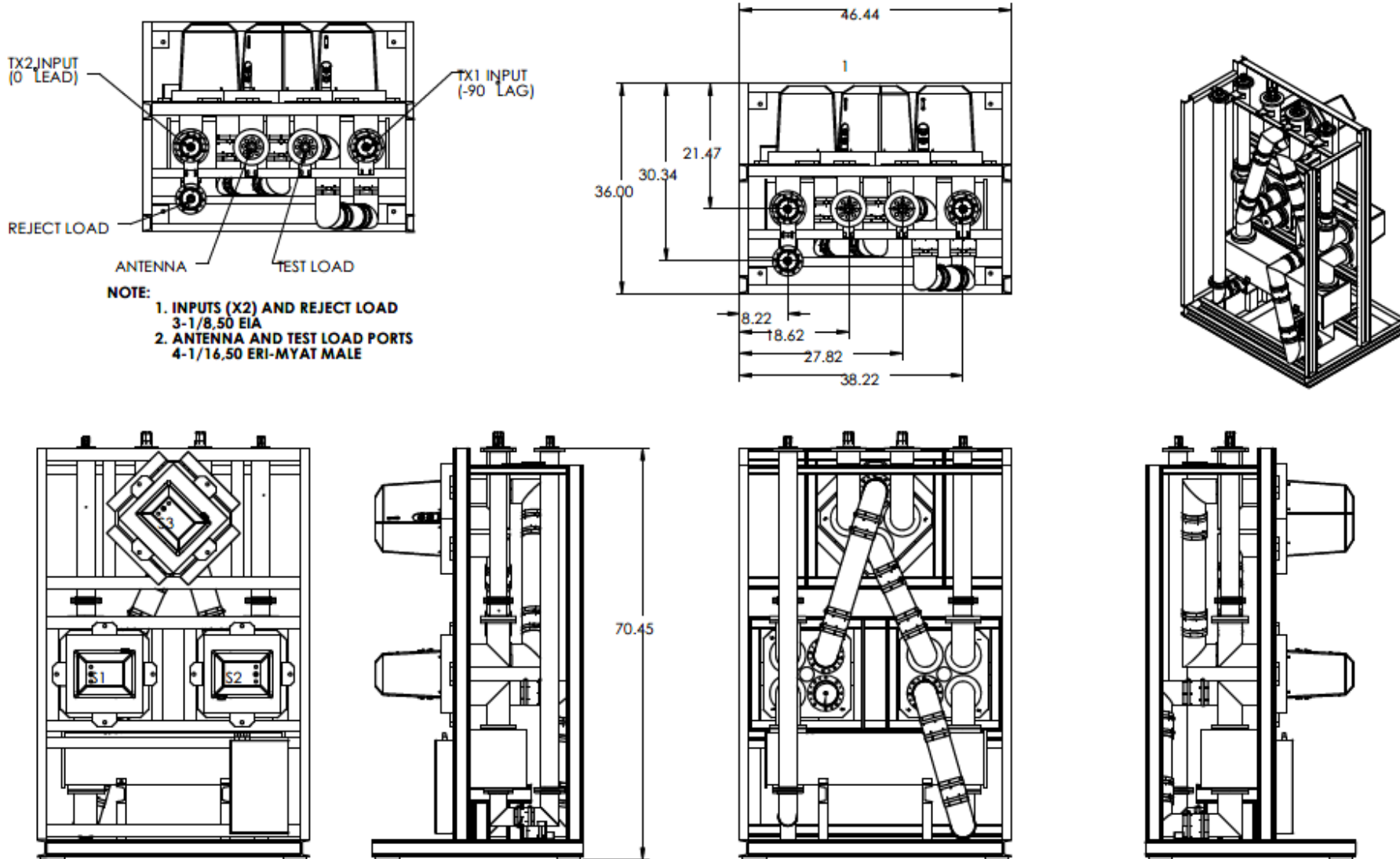
FM Switching Combiner System



70 kW FM Switching Combiner simplified block diagram

Electronics Research, Inc. • 7777 Gardner Road • Chandler, IN 47610-9219 • USA | +1 812 925-6000 (tel) • +1 812 925-4030 (fax)

Your Single Source for Broadcast Solutions™ • Call Toll-free at 877 ERI-LINE • Visit Online at www.eriinc.com



70 kW FM Switching Combiner layout drawing, dimension shown are inches.